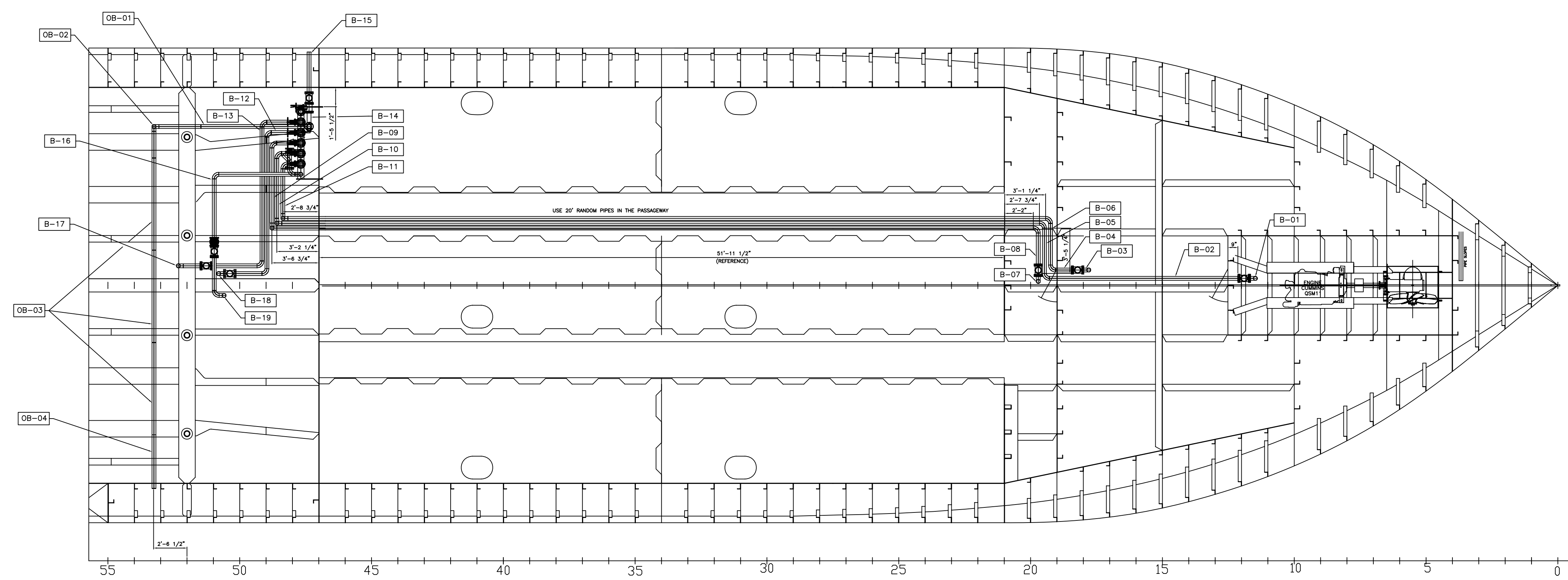
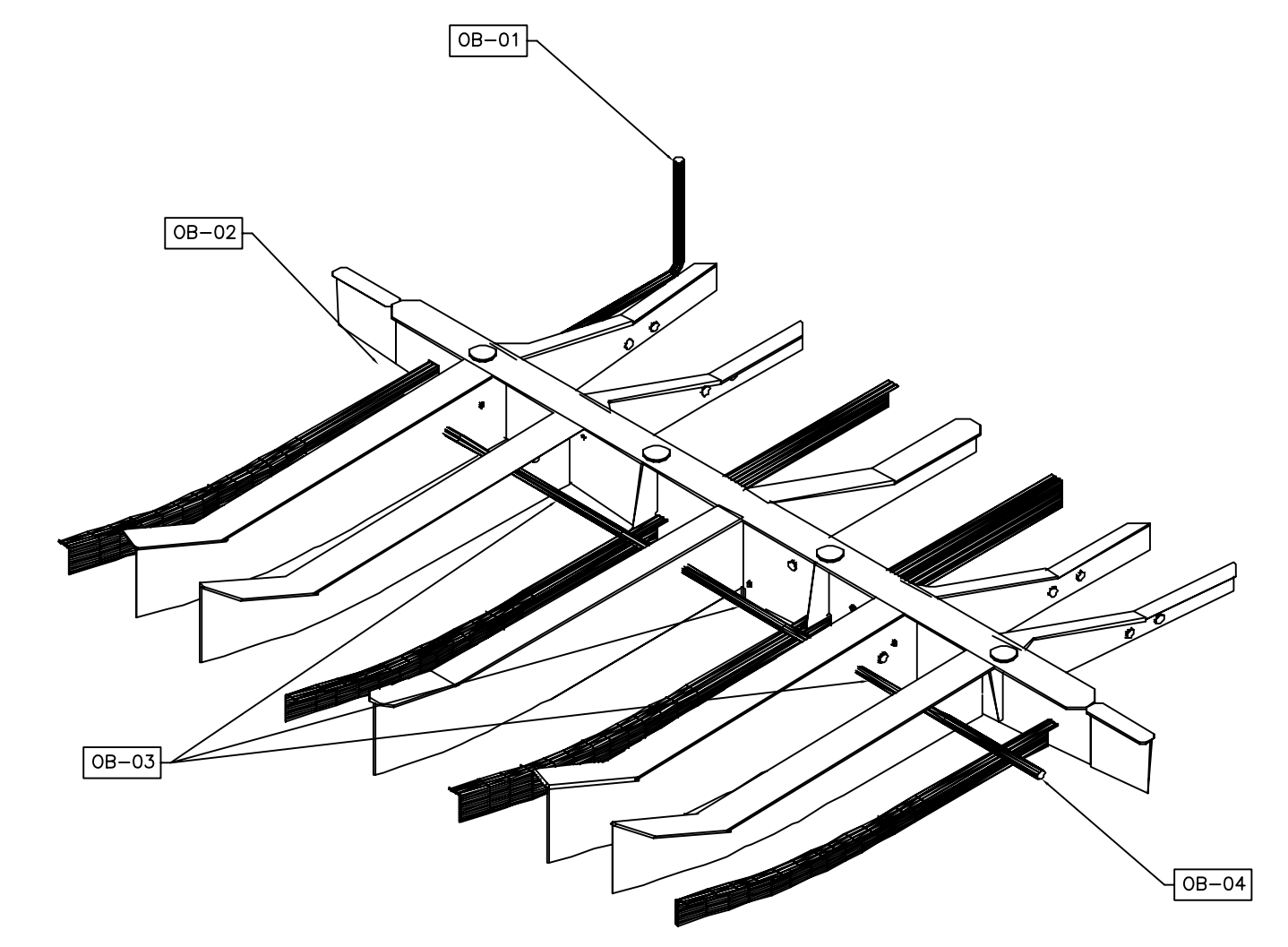


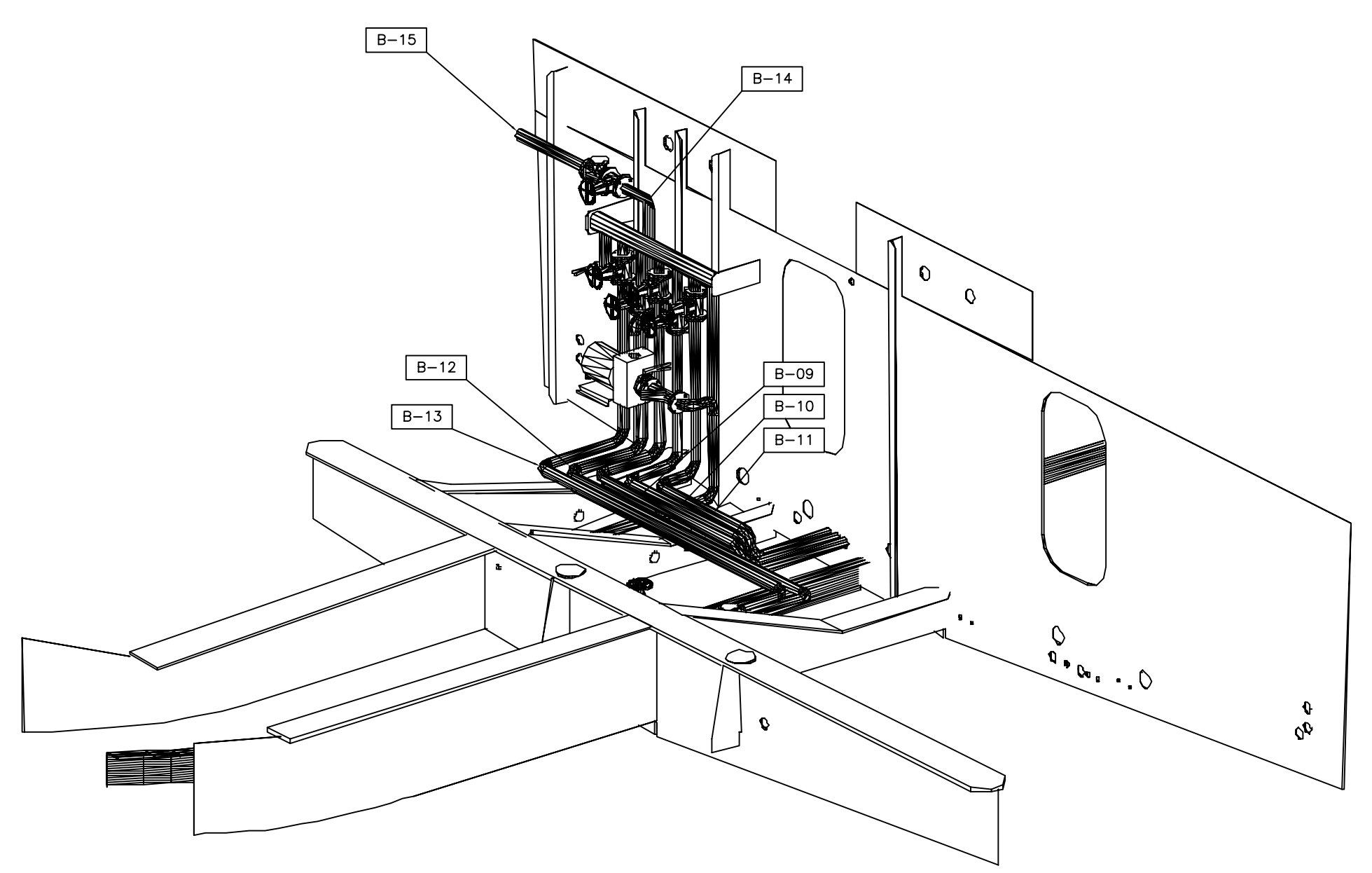
REVISIONS		DESCRIPTION
DATE	REV	



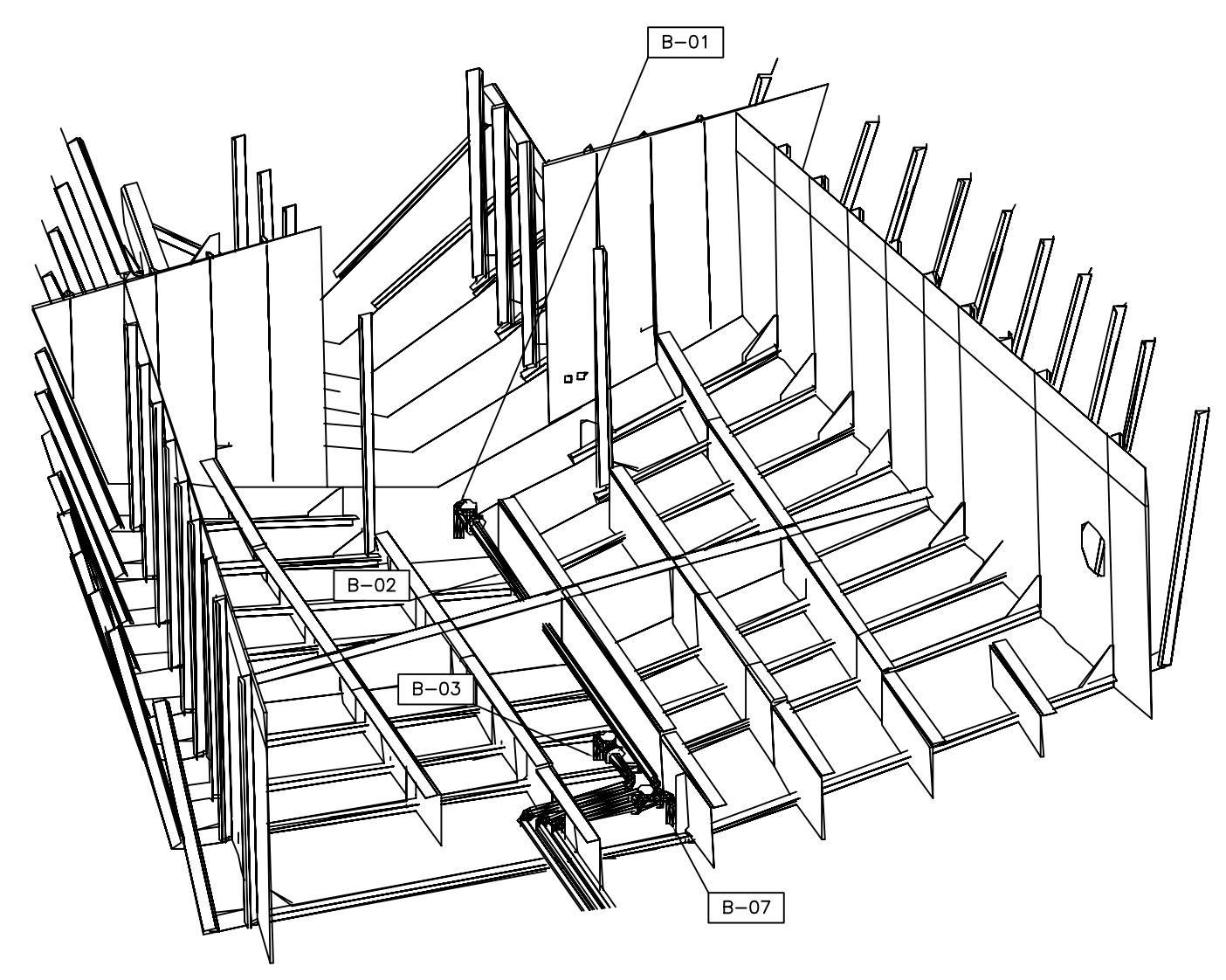
PLAN 4-C



ISO 1-B
OILY BILGE SYSTEM
SOME STRUCTURE REMOVED FOR CLARITY



ISO 5-A
AFT BILGE SYSTEM
SOME STRUCTURE REMOVED FOR CLARITY



ISO 3-A
FWD BILGE SYSTEM
SOME STRUCTURE REMOVED FOR CLARITY

NOTES:

- USE THE PIPING DIAGRAMMATIC DURING INSTALLATION TO ENSURE THAT ALL VALVES, STRAINERS, FITTINGS, PIPE, EQUIPMENT, ETC ARE INSTALLED ARE REQUIRED.

PROJECT:		162'-0" x 36'-0" x 11'-6" OFFSHORE UTILITY VESSEL	
DRAWING TITLE:		BILGE SYSTEM INSTALLATION DRAWING	
DRAWN BY		SIZE:	DRAWING NO:
CHECKED		D	
APPROVED		SCALE:	DATE:
JOB NO.		3/16"=12"	1/21/08
HULL NO.		SHEET 1 OF 1	
		REV	1