

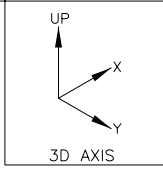
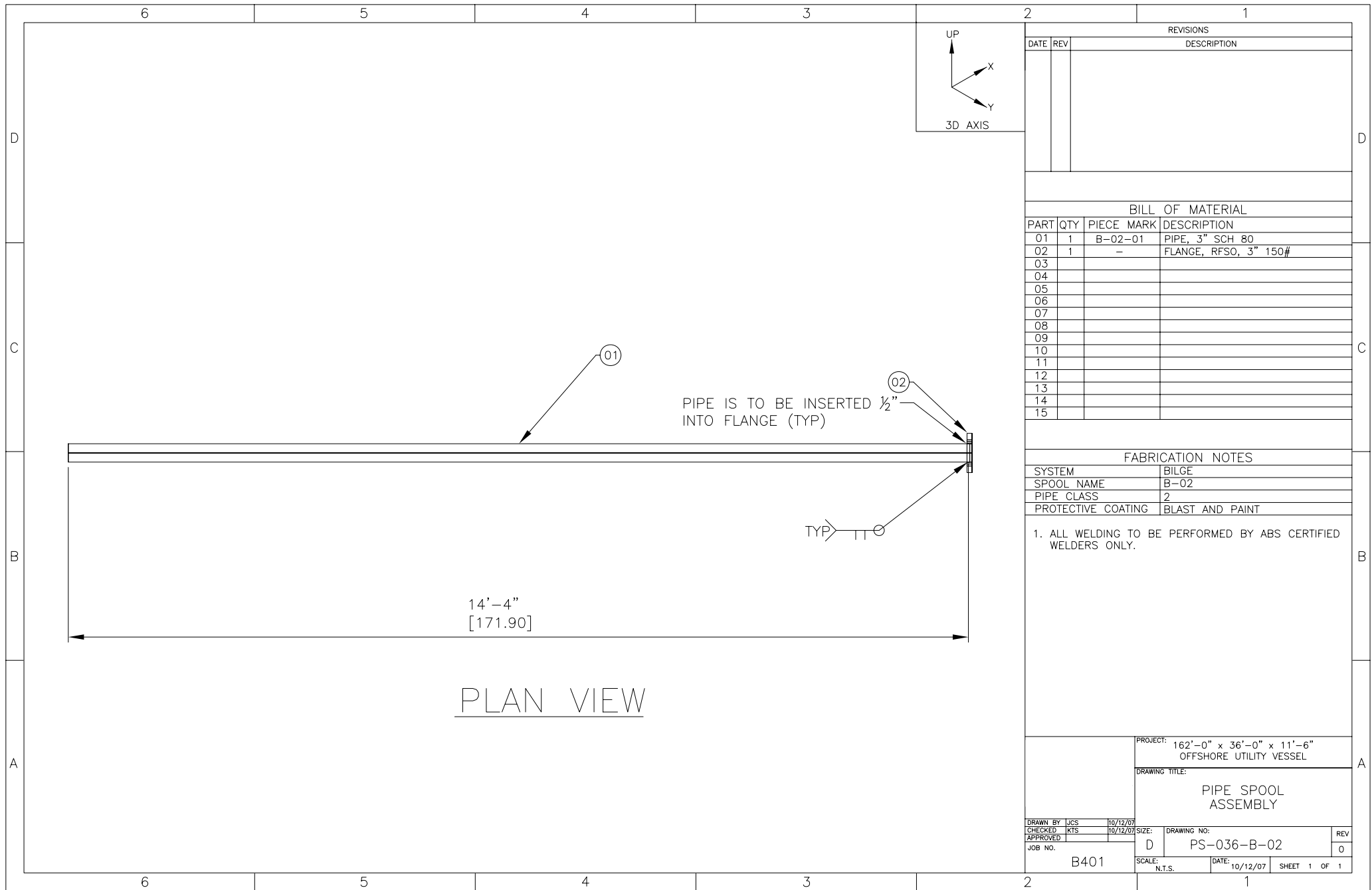
REVISIONS	
DATE	DESCRIPTION

BILL OF MATERIAL			
PART	QTY	PIECE MARK	DESCRIPTION
01	1	B-01-01	PIPE, 3" SCH 80
02	1	-	ELBOW, 90° RAD, 3" SCH 80, BW
03	1	-	FLANGE, RFSO, 3" 150#
04	1	-	6" LG NIPPLE, SCH 80, BW
05			
06			
07			
08			
09			
10			
11			
12			
13			
14			
15			

FABRICATION NOTES	
SYSTEM	BILGE
SPOOL NAME	B-01
PIPE CLASS	2
PROTECTIVE COATING	BLAST AND PAINT

1. ALL WELDING TO BE PERFORMED BY ABS CERTIFIED WELDERS ONLY.

PROJECT: 162'-0" x 36'-0" x 11'-6" OFFSHORE UTILITY VESSEL	
DRAWING TITLE: PIPE SPOOL ASSEMBLY	
DRAWN BY: JCS	10/12/07
CHECKED: KTS	10/12/07
APPROVED:	
JOB NO. B401	SCALE: N.T.S.
DRAWING NO. D PS-036-B-01	DATE: 10/12/07
REV 0	SHEET 1 OF 1



REVISIONS		
DATE	REV	DESCRIPTION

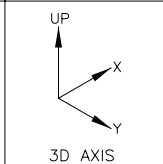
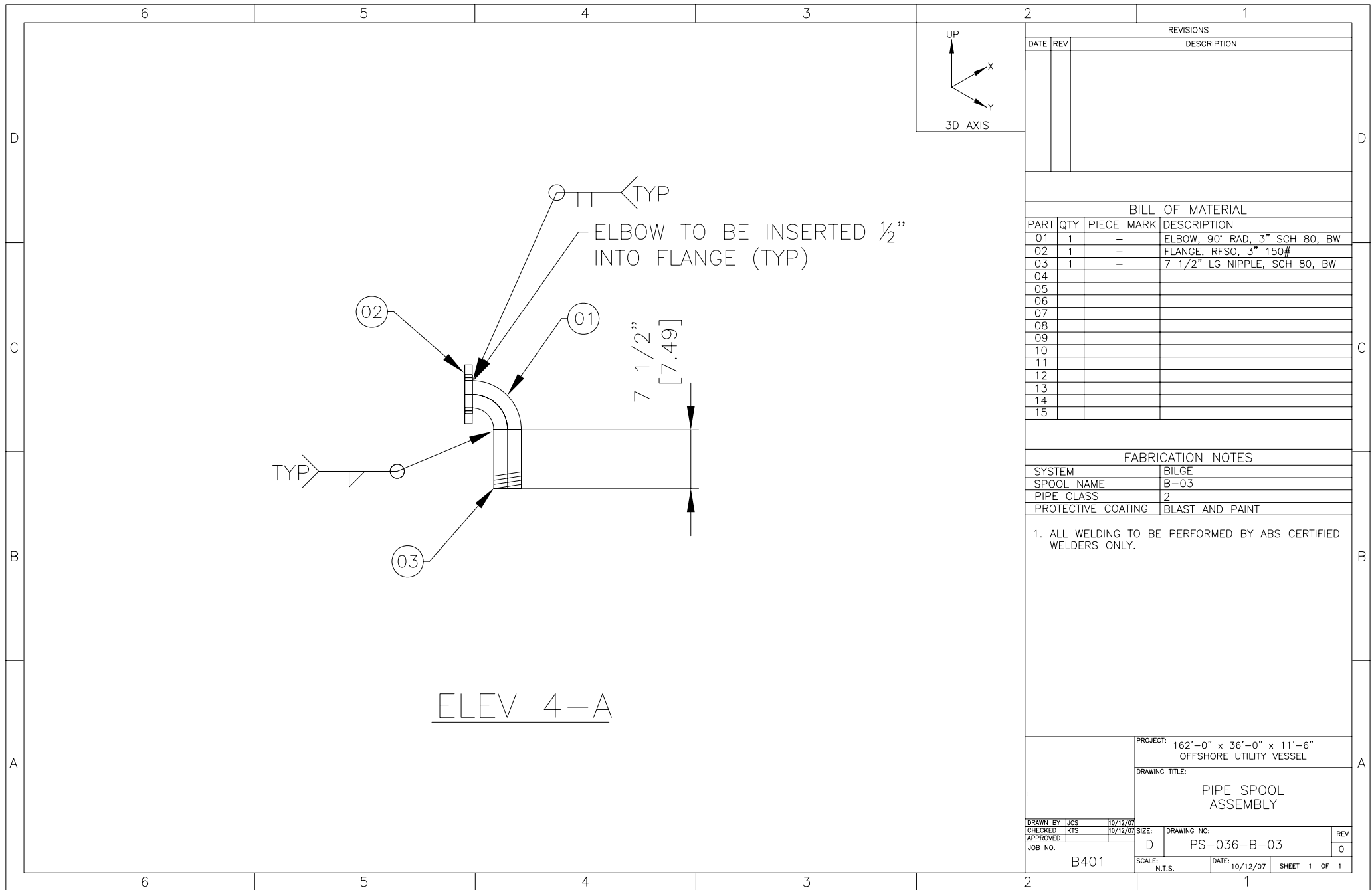
BILL OF MATERIAL			
PART	QTY	PIECE MARK	DESCRIPTION
01	1	B-02-01	PIPE, 3" SCH 80
02	1	-	FLANGE, RFSO, 3" 150#
03			
04			
05			
06			
07			
08			
09			
10			
11			
12			
13			
14			
15			

FABRICATION NOTES	
SYSTEM	BILGE
SPOOL NAME	B-02
PIPE CLASS	2
PROTECTIVE COATING	BLAST AND PAINT

1. ALL WELDING TO BE PERFORMED BY ABS CERTIFIED WELDERS ONLY.

PLAN VIEW

PROJECT:		162'-0" x 36'-0" x 11'-6" OFFSHORE UTILITY VESSEL	
DRAWING TITLE:			
PIPE SPOOL ASSEMBLY			
DRAWN BY	JCS	10/12/07	
CHECKED	KTS	10/12/07	
APPROVED			
JOB NO.	B401	SCALE:	N.T.S.
DRAWING NO:	D	PS-036-B-02	REV 0
DATE:	10/12/07	SHEET	1 OF 1



REVISIONS		
DATE	REV	DESCRIPTION

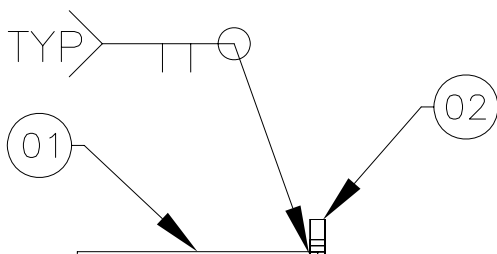
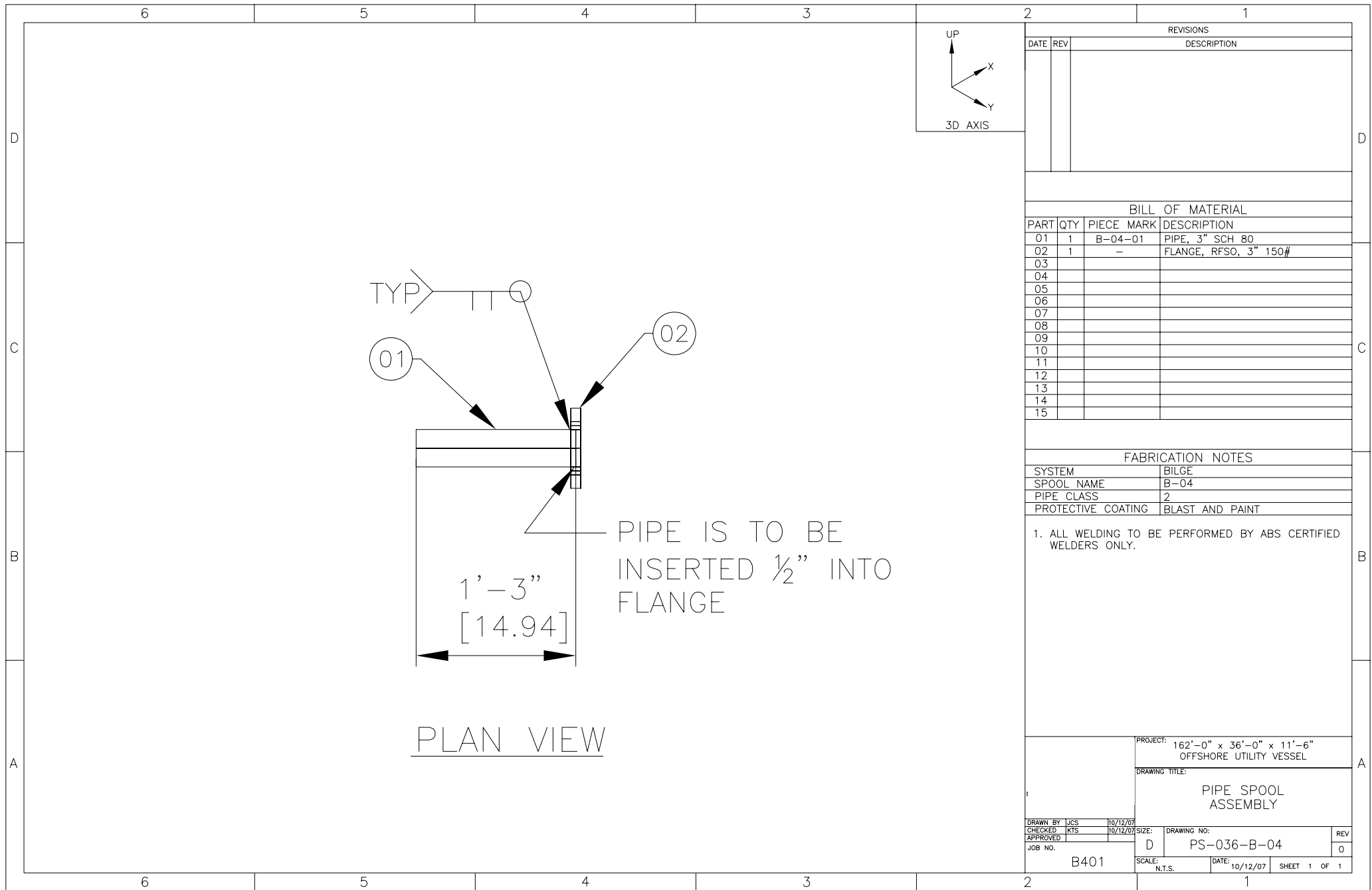
BILL OF MATERIAL			
PART	QTY	PIECE MARK	DESCRIPTION
01	1	-	ELBOW, 90° RAD, 3" SCH 80, BW
02	1	-	FLANGE, RFSO, 3" 150#
03	1	-	7 1/2" LG NIPPLE, SCH 80, BW
04			
05			
06			
07			
08			
09			
10			
11			
12			
13			
14			
15			

FABRICATION NOTES	
SYSTEM	BILGE
SPOOL NAME	B-03
PIPE CLASS	2
PROTECTIVE COATING	BLAST AND PAINT

1. ALL WELDING TO BE PERFORMED BY ABS CERTIFIED WELDERS ONLY.

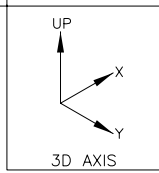
ELEV 4-A

PROJECT: 162'-0" x 36'-0" x 11'-6" OFFSHORE UTILITY VESSEL	
DRAWING TITLE: PIPE SPOOL ASSEMBLY	
DRAWN BY: JCS	10/12/07
CHECKED: KTS	10/12/07
APPROVED:	
JOB NO. B401	SCALE: N.T.S.
DRAWING NO. D PS-036-B-03	DATE: 10/12/07
REV 0	SHEET 1 OF 1



PIPE IS TO BE
INSERTED 1/2" INTO
FLANGE

PLAN VIEW



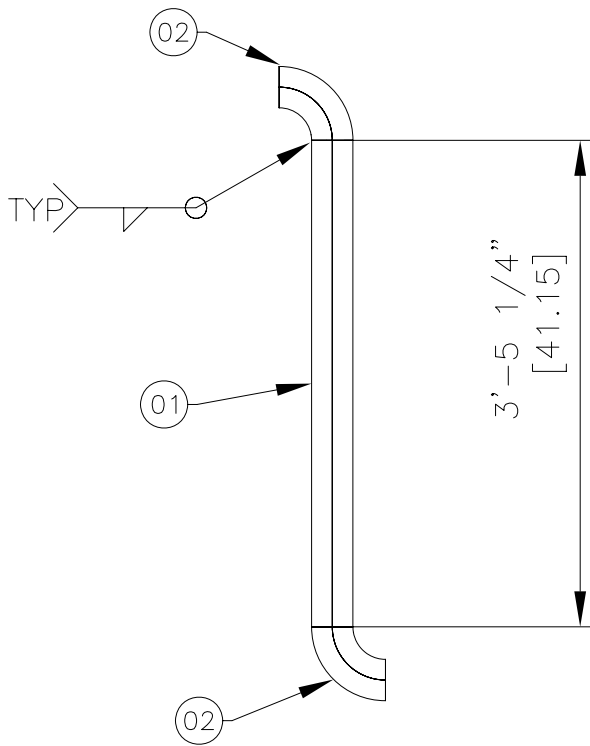
REVISIONS		DESCRIPTION
DATE	REV	

BILL OF MATERIAL			
PART	QTY	PIECE MARK	DESCRIPTION
01	1	B-04-01	PIPE, 3" SCH 80
02	1	-	FLANGE, RFSO, 3" 150#
03			
04			
05			
06			
07			
08			
09			
10			
11			
12			
13			
14			
15			

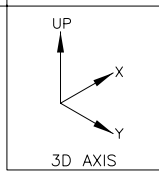
FABRICATION NOTES	
SYSTEM	BILGE
SPOOL NAME	B-04
PIPE CLASS	2
PROTECTIVE COATING	BLAST AND PAINT

1. ALL WELDING TO BE PERFORMED BY ABS CERTIFIED WELDERS ONLY.

PROJECT:		162'-0" x 36'-0" x 11'-6" OFFSHORE UTILITY VESSEL	
DRAWING TITLE:			
PIPE SPOOL ASSEMBLY			
DRAWN BY	JCS	10/12/07	
CHECKED	KTS	10/12/07	
APPROVED			
JOB NO.	B401	SCALE:	N.T.S.
DRAWING NO.	D	PS-036-B-04	REV 0
		DATE:	10/12/07
		SHEET	1 OF 1



PLAN VIEW



REVISIONS	
DATE	REV

BILL OF MATERIAL			
PART	QTY	PIECE MARK	DESCRIPTION
01	1	B-05-01	PIPE, 3" SCH 80
02	2	-	ELBOW, 90° RAD, 3" SCH 80, BW
03			
04			
05			
06			
07			
08			
09			
10			
11			
12			
13			
14			
15			

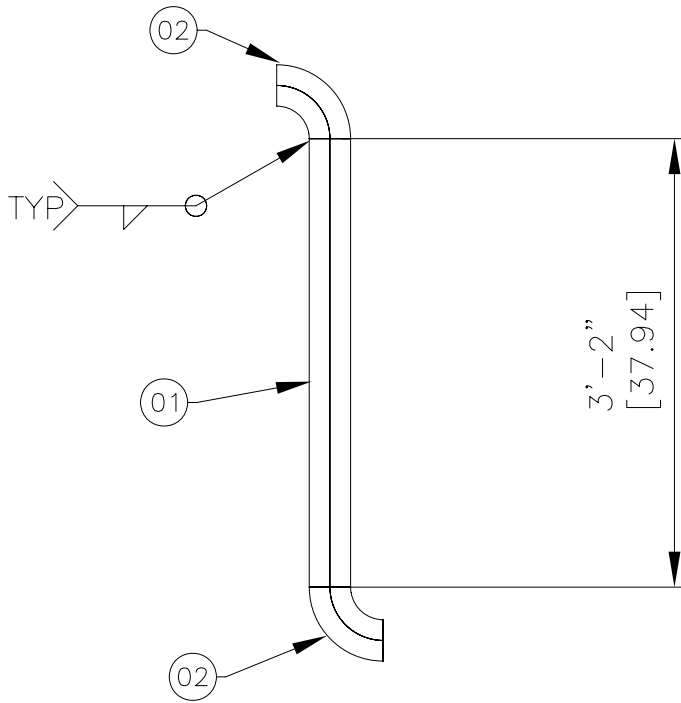
FABRICATION NOTES	
SYSTEM	BILGE
SPOOL NAME	B-05
PIPE CLASS	2
PROTECTIVE COATING	BLAST AND PAINT

1. ALL WELDING TO BE PERFORMED BY ABS CERTIFIED WELDERS ONLY.

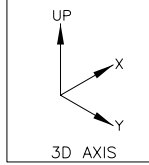
PROJECT: 162'-0" x 36'-0" x 11'-6"
OFFSHORE UTILITY VESSEL

DRAWING TITLE:
PIPE SPOOL ASSEMBLY

DRAWN BY: JCS	10/12/07	SIZE: D	DRAWING NO: PS-036-B-05	REV: 0
CHECKED: KTS	10/12/07	DATE: 10/12/07	SHEET 1 OF 1	
APPROVED:		SCALE: N.T.S.		
JOB NO. B401				



PLAN VIEW



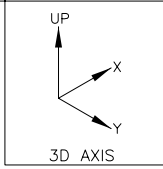
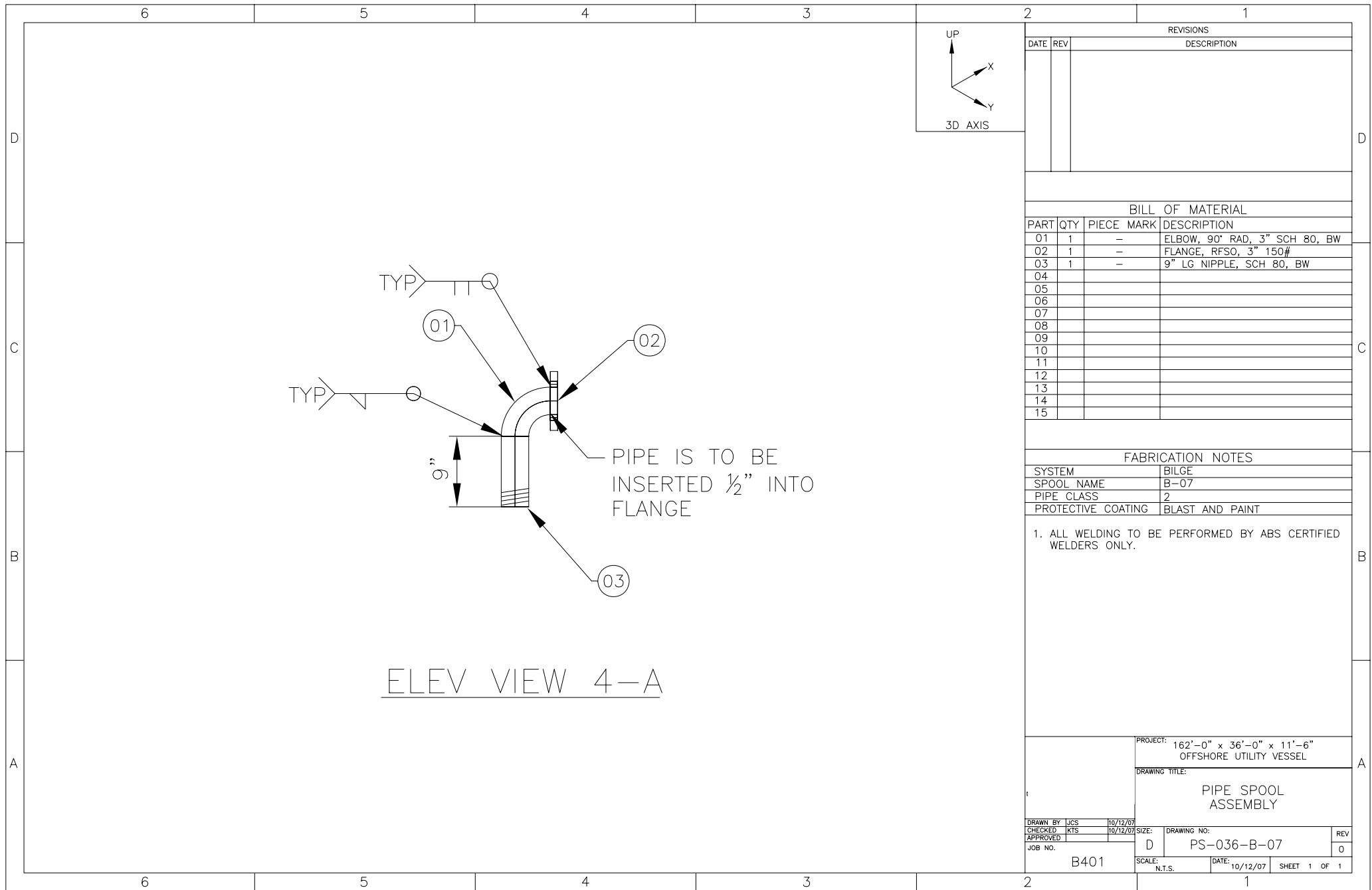
DATE		REV	DESCRIPTION

BILL OF MATERIAL			
PART	QTY	PIECE MARK	DESCRIPTION
01	1	B-06-01	PIPE, 3" SCH 80
02	2	-	ELBOW, 90° RAD, 3" SCH 80, BW
03			
04			
05			
06			
07			
08			
09			
10			
11			
12			
13			
14			
15			

FABRICATION NOTES	
SYSTEM	BILGE
SPOOL NAME	B-06
PIPE CLASS	2
PROTECTIVE COATING	BLAST AND PAINT

1. ALL WELDING TO BE PERFORMED BY ABS CERTIFIED WELDERS ONLY.

PROJECT:		162'-0" x 36'-0" x 11'-6" OFFSHORE UTILITY VESSEL	
DRAWING TITLE:			
PIPE SPOOL ASSEMBLY			
DRAWN BY	JCS	10/12/07	
CHECKED	KTS	10/12/07	
APPROVED			
JOB NO.	B401	SCALE:	N.T.S.
DRAWING NO.	D	PS-036-B-06	REV 0
DATE:	10/12/07	SHEET	1 OF 1



REVISIONS		
DATE	REV	DESCRIPTION

BILL OF MATERIAL			
PART	QTY	PIECE MARK	DESCRIPTION
01	1	-	ELBOW, 90° RAD, 3" SCH 80, BW
02	1	-	FLANGE, RFSO, 3" 150#
03	1	-	9" LG NIPPLE, SCH 80, BW
04			
05			
06			
07			
08			
09			
10			
11			
12			
13			
14			
15			

FABRICATION NOTES	
SYSTEM	BILGE
SPOOL NAME	B-07
PIPE CLASS	2
PROTECTIVE COATING	BLAST AND PAINT

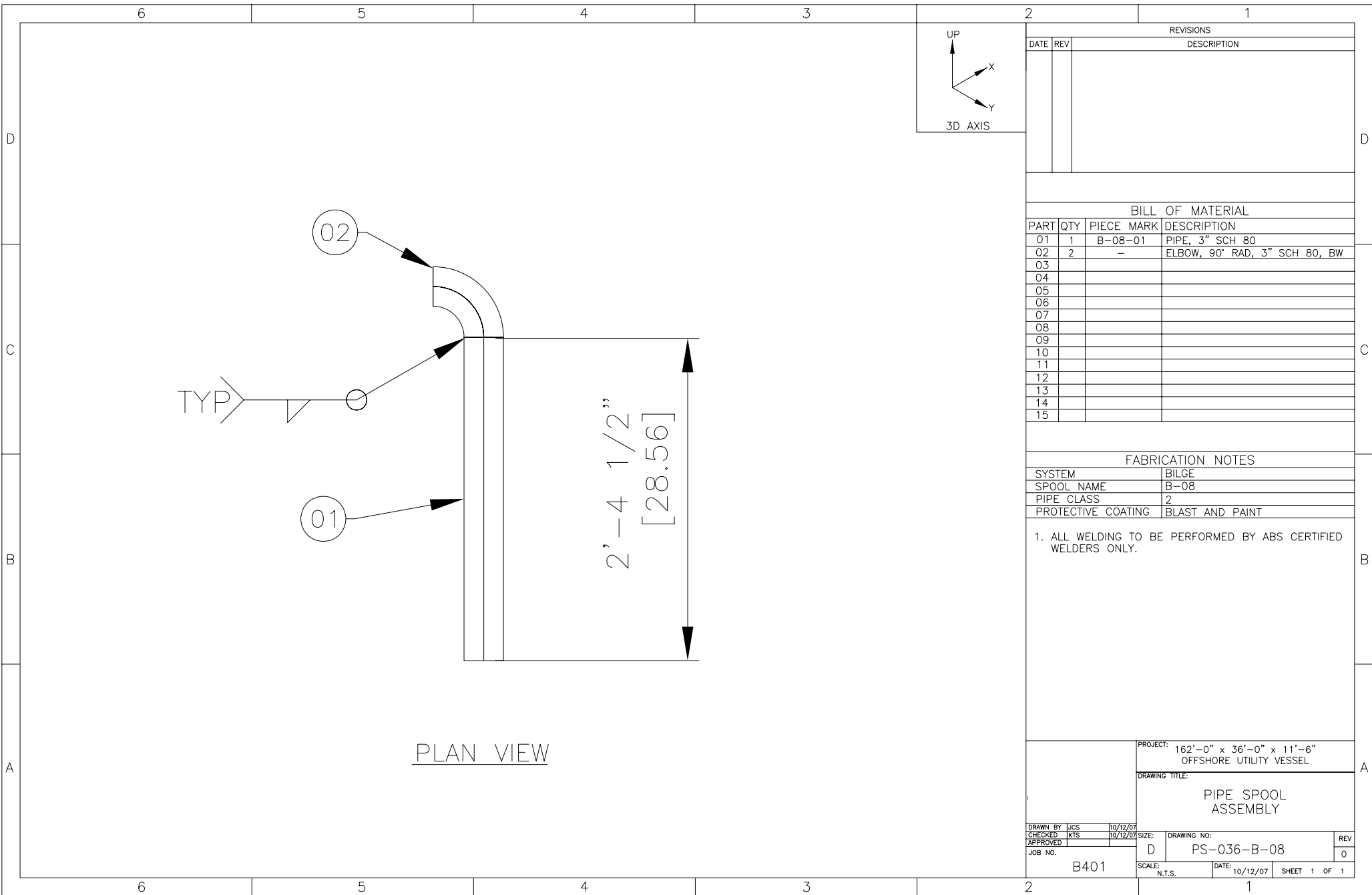
1. ALL WELDING TO BE PERFORMED BY ABS CERTIFIED WELDERS ONLY.

ELEV VIEW 4-A

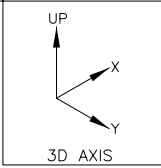
PROJECT: 162'-0" x 36'-0" x 11'-6" OFFSHORE UTILITY VESSEL

DRAWING TITLE: PIPE SPOOL ASSEMBLY

DRAWN BY: JCS	10/12/07	DRAWING NO: PS-036-B-07	REV: 0
CHECKED: KTS	10/12/07		
APPROVED:		D	
JOB NO. B401	SCALE: N.T.S.	DATE: 10/12/07	SHEET 1 OF 1



PLAN VIEW



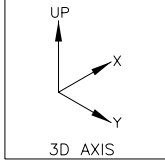
REVISIONS		DESCRIPTION
DATE	REV	

BILL OF MATERIAL			
PART	QTY	PIECE MARK	DESCRIPTION
01	1	B-08-01	PIPE, 3" SCH 80
02	2	-	ELBOW, 90° RAD, 3" SCH 80, BW
03			
04			
05			
06			
07			
08			
09			
10			
11			
12			
13			
14			
15			

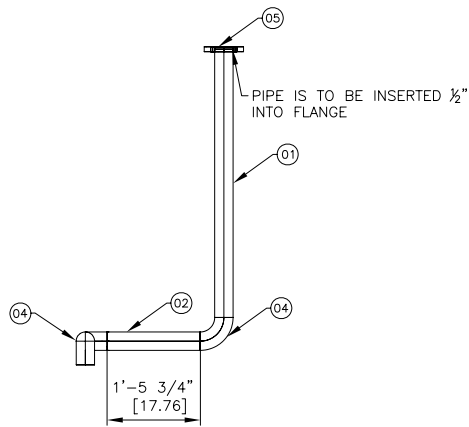
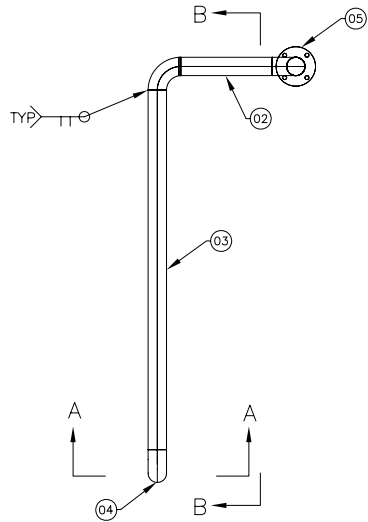
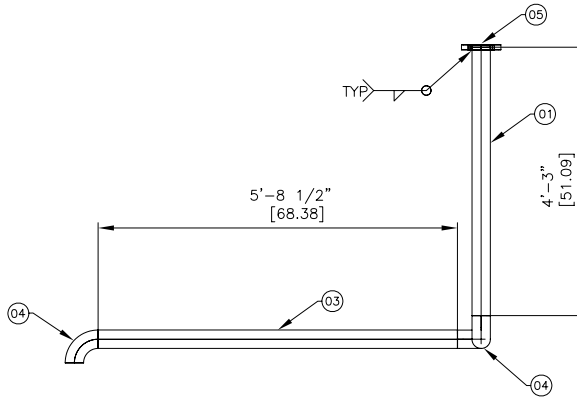
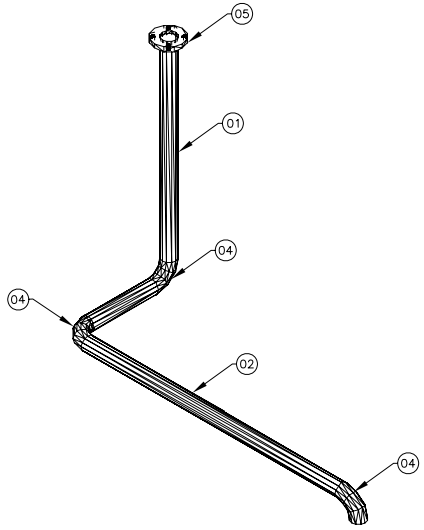
FABRICATION NOTES	
SYSTEM	BILGE
SPOOL NAME	B-08
PIPE CLASS	2
PROTECTIVE COATING	BLAST AND PAINT

1. ALL WELDING TO BE PERFORMED BY ABS CERTIFIED WELDERS ONLY.

PROJECT:		162'-0" x 36'-0" x 11'-6" OFFSHORE UTILITY VESSEL	
DRAWING TITLE:			
PIPE SPOOL ASSEMBLY			
DRAWN BY	JCS	10/12/07	
CHECKED	KTS	10/12/07	SIZE:
APPROVED			DRAWING NO:
JOB NO.		D	PS-036-B-08
B401		SCALE:	N.T.S.
		DATE:	10/12/07
		SHEET	1 OF 1



DATE		REV	DESCRIPTION

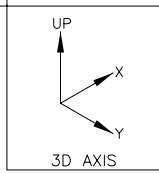
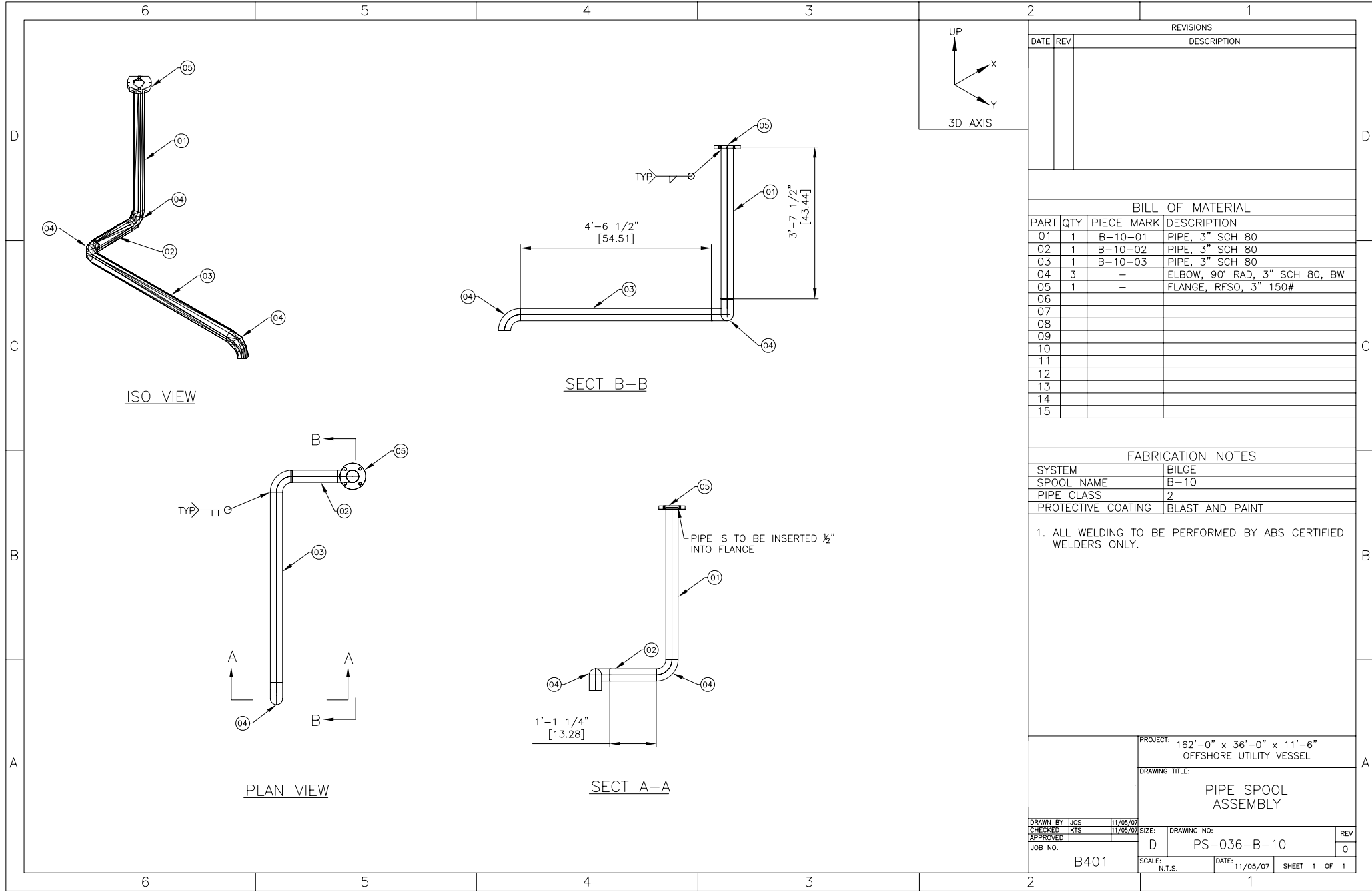


BILL OF MATERIAL			
PART	QTY	PIECE MARK	DESCRIPTION
01	1	B-09-01	PIPE, 3" SCH 80
02	1	B-09-02	PIPE, 3" SCH 80
03	1	B-09-03	PIPE, 3" SCH 80
04	3	-	ELBOW, 90° RAD, 3" SCH 80, BW
05	1	-	FLANGE, RFSO, 3" 150#
06			
07			
08			
09			
10			
11			
12			
13			
14			
15			

FABRICATION NOTES	
SYSTEM	BILGE
SPOOL NAME	B-09
PIPE CLASS	2
PROTECTIVE COATING	BLAST AND PAINT

1. ALL WELDING TO BE PERFORMED BY ABS CERTIFIED WELDERS ONLY.

DRAWN BY: JCS		DATE: 11/05/07
CHECKED: KTS		DATE: 11/05/07
APPROVED:		
JOB NO.	B401	
PROJECT:		162'-0" x 36'-0" x 11'-6" OFFSHORE UTILITY VESSEL
DRAWING TITLE:		PIPE SPOOL ASSEMBLY
DRAWING NO.:		PS-036-B-09
SCALE:	N.T.S.	DATE: 11/05/07
SHEET		1 OF 1



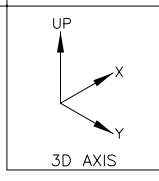
REVISIONS	
DATE	REV

BILL OF MATERIAL			
PART	QTY	PIECE MARK	DESCRIPTION
01	1	B-10-01	PIPE, 3" SCH 80
02	1	B-10-02	PIPE, 3" SCH 80
03	1	B-10-03	PIPE, 3" SCH 80
04	3	-	ELBOW, 90° RAD, 3" SCH 80, BW
05	1	-	FLANGE, RFSO, 3" 150#
06			
07			
08			
09			
10			
11			
12			
13			
14			
15			

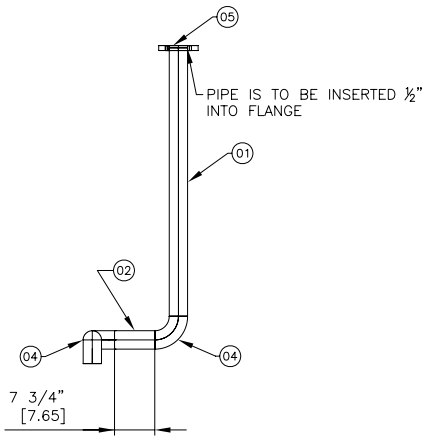
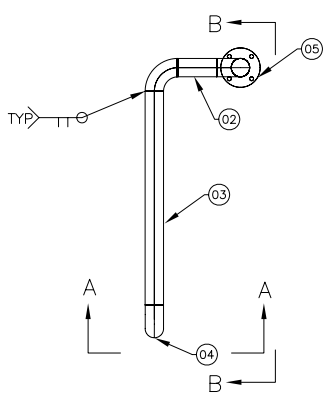
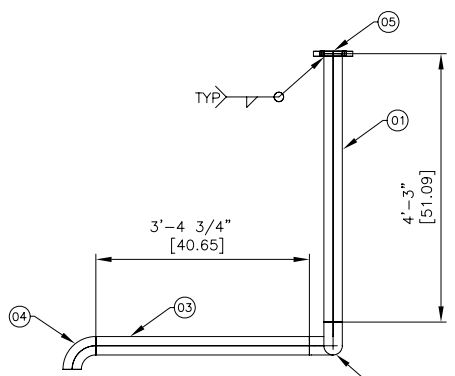
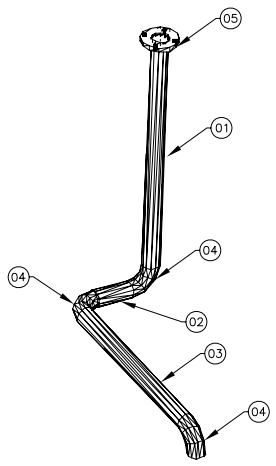
FABRICATION NOTES	
SYSTEM	BILGE
SPOOL NAME	B-10
PIPE CLASS	2
PROTECTIVE COATING	BLAST AND PAINT

1. ALL WELDING TO BE PERFORMED BY ABS CERTIFIED WELDERS ONLY.

PROJECT:		162'-0" x 36'-0" x 11'-6" OFFSHORE UTILITY VESSEL	
DRAWING TITLE:			
PIPE SPOOL ASSEMBLY			
DRAWN BY	JCS	11/05/07	
CHECKED	KTS	11/05/07	
APPROVED			
JOB NO.	B401	SCALE:	N.T.S.
DRAWING NO.	D	PS-036-B-10	REV 0
DATE:	11/05/07	SHEET	1 OF 1



REVISIONS		DESCRIPTION
DATE	REV	

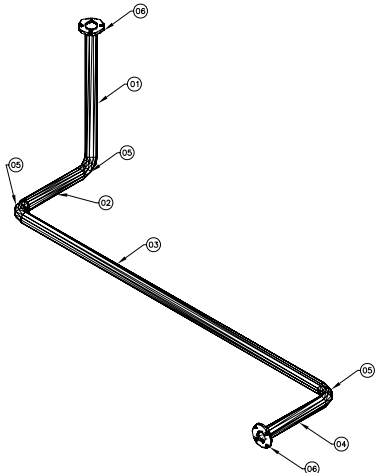


BILL OF MATERIAL			
PART	QTY	PIECE MARK	DESCRIPTION
01	1	B-11-01	PIPE, 3" SCH 80
02	1	B-11-02	PIPE, 3" SCH 80
03	1	B-11-03	PIPE, 3" SCH 80
04	3	-	ELBOW, 90° RAD, 3" SCH 80, BW
05	1	-	FLANGE, RFSO, 3" 150#
06			
07			
08			
09			
10			
11			
12			
13			
14			
15			

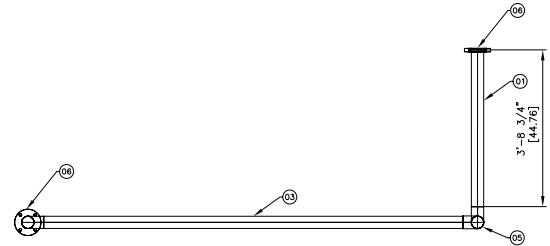
FABRICATION NOTES	
SYSTEM	BILGE
SPOOL NAME	B-11
PIPE CLASS	2
PROTECTIVE COATING	BLAST AND PAINT

1. ALL WELDING TO BE PERFORMED BY ABS CERTIFIED WELDERS ONLY.

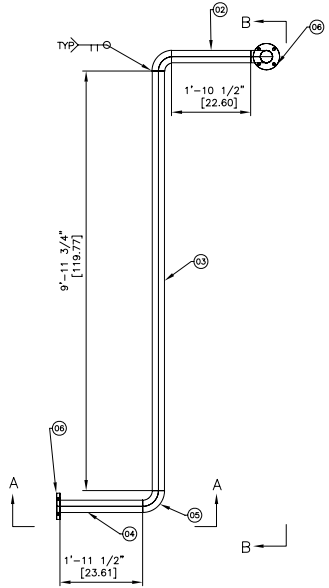
PROJECT:		162'-0" x 36'-0" x 11'-6" OFFSHORE UTILITY VESSEL	
DRAWING TITLE:		PIPE SPOOL ASSEMBLY	
DRAWN BY	JCS	11/05/07	
CHECKED	KTS	11/05/07	
APPROVED			
JOB NO.	B401	SCALE:	N.T.S.
DRAWING NO.	D	PS-036-B-11	REV 0
DATE:	11/05/07	SHEET	1 OF 1



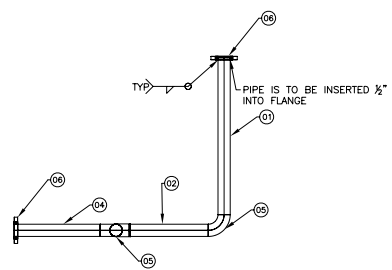
ISO VIEW



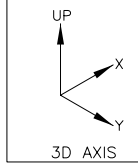
SECT B-B



PLAN VIEW



SECT A-A



3D AXIS

REVISIONS

DATE	REV	DESCRIPTION

BILL OF MATERIAL

PART	QTY	PIECE MARK	DESCRIPTION
01	1	B-12-01	PIPE, 3" SCH 80
02	1	B-12-02	PIPE, 3" SCH 80
03	1	B-12-03	PIPE, 3" SCH 80
04	1	B-12-04	PIPE, 3" SCH 80
05	3	-	ELBOW, 90° RAD, 3" SCH 80, BW
06	2	-	FLANGE, RFSO, 3" 150#
07			
08			
09			
10			
11			
12			
13			
14			
15			

FABRICATION NOTES

SYSTEM	BILGE
SPOOL NAME	B-12
PIPE CLASS	2
PROTECTIVE COATING	BLAST AND PAINT

1. ALL WELDING TO BE PERFORMED BY ABS CERTIFIED WELDERS ONLY.

PROJECT: 162'-0" x 36'-0" x 11'-6" OFFSHORE UTILITY VESSEL

DRAWING TITLE:

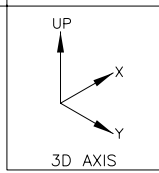
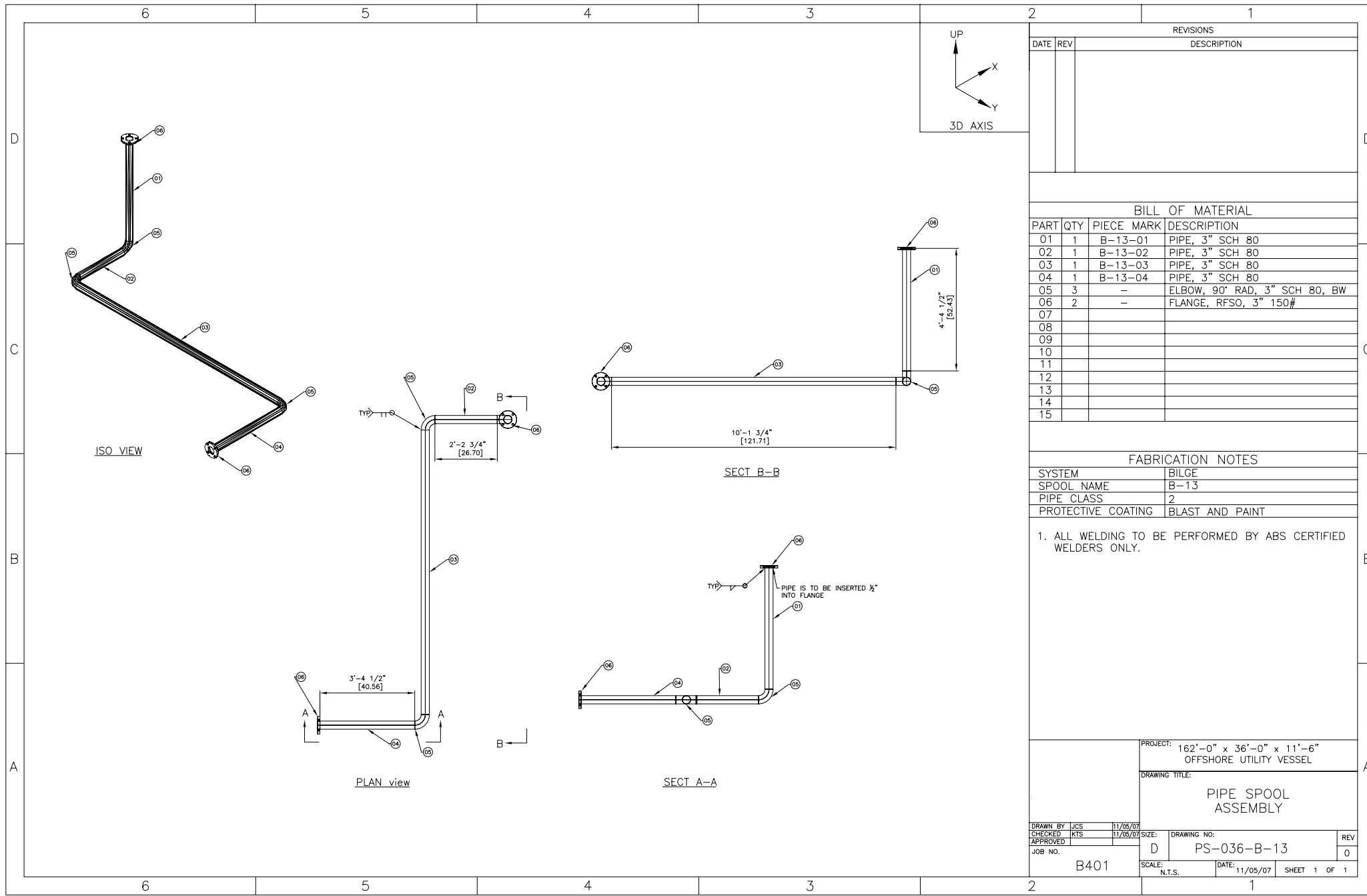
PIPE SPOOL ASSEMBLY

DRAWN BY	JCS	11/05/07
CHECKED	KTS	11/05/07
APPROVED		

SIZE: D	DRAWING NO: PS-036-B-12	REV: 0
---------	-------------------------	--------

B401

SCALE: N.T.S.	DATE: 11/05/07	SHEET 1 OF 1
---------------	----------------	--------------



REVISIONS		
DATE	REV	DESCRIPTION

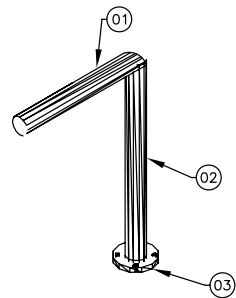
BILL OF MATERIAL			
PART	QTY	PIECE MARK	DESCRIPTION
01	1	B-13-01	PIPE, 3" SCH 80
02	1	B-13-02	PIPE, 3" SCH 80
03	1	B-13-03	PIPE, 3" SCH 80
04	1	B-13-04	PIPE, 3" SCH 80
05	3	-	ELBOW, 90° RAD, 3" SCH 80, BW
06	2	-	FLANGE, RFSO, 3" 150#
07			
08			
09			
10			
11			
12			
13			
14			
15			

FABRICATION NOTES	
SYSTEM	BILGE
SPOOL NAME	B-13
PIPE CLASS	2
PROTECTIVE COATING	BLAST AND PAINT

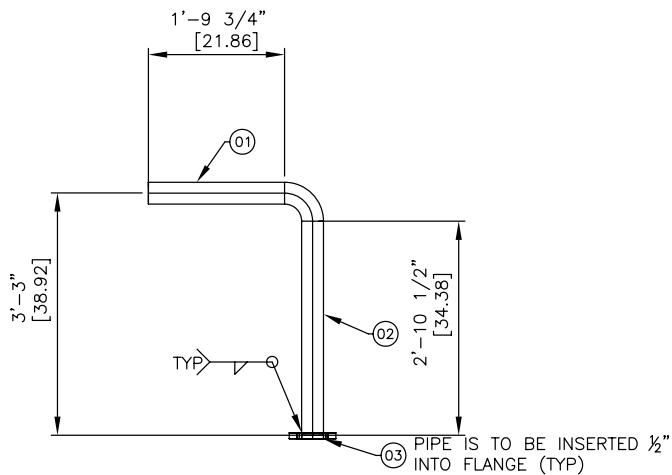
1. ALL WELDING TO BE PERFORMED BY ABS CERTIFIED WELDERS ONLY.

PROJECT: 162'-0" x 36'-0" x 11'-6" OFFSHORE UTILITY VESSEL
 DRAWING TITLE:
PIPE SPOOL ASSEMBLY

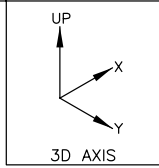
DRAWN BY: JCS	11/05/07	DRAWING NO: PS-036-B-13	REV: 0
CHECKED: KTS	11/05/07		
APPROVED:		SCALE: N.T.S.	DATE: 11/05/07
JOB NO. B401			SHEET 1 OF 1



ISO VIEW



SECTION 4-A



DATE		REV	DESCRIPTION

BILL OF MATERIAL			
PART	QTY	PIECE MARK	DESCRIPTION
01	1	B-14-01	PIPE, 3" SCH 80
02	1	B-14-02	PIPE, 3" SCH 80
03	1	-	FLANGE, RFSO, 3" 150#
04			
05			
06			
07			
08			
09			
10			
11			
12			
13			
14			
15			

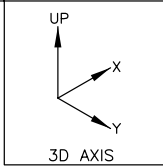
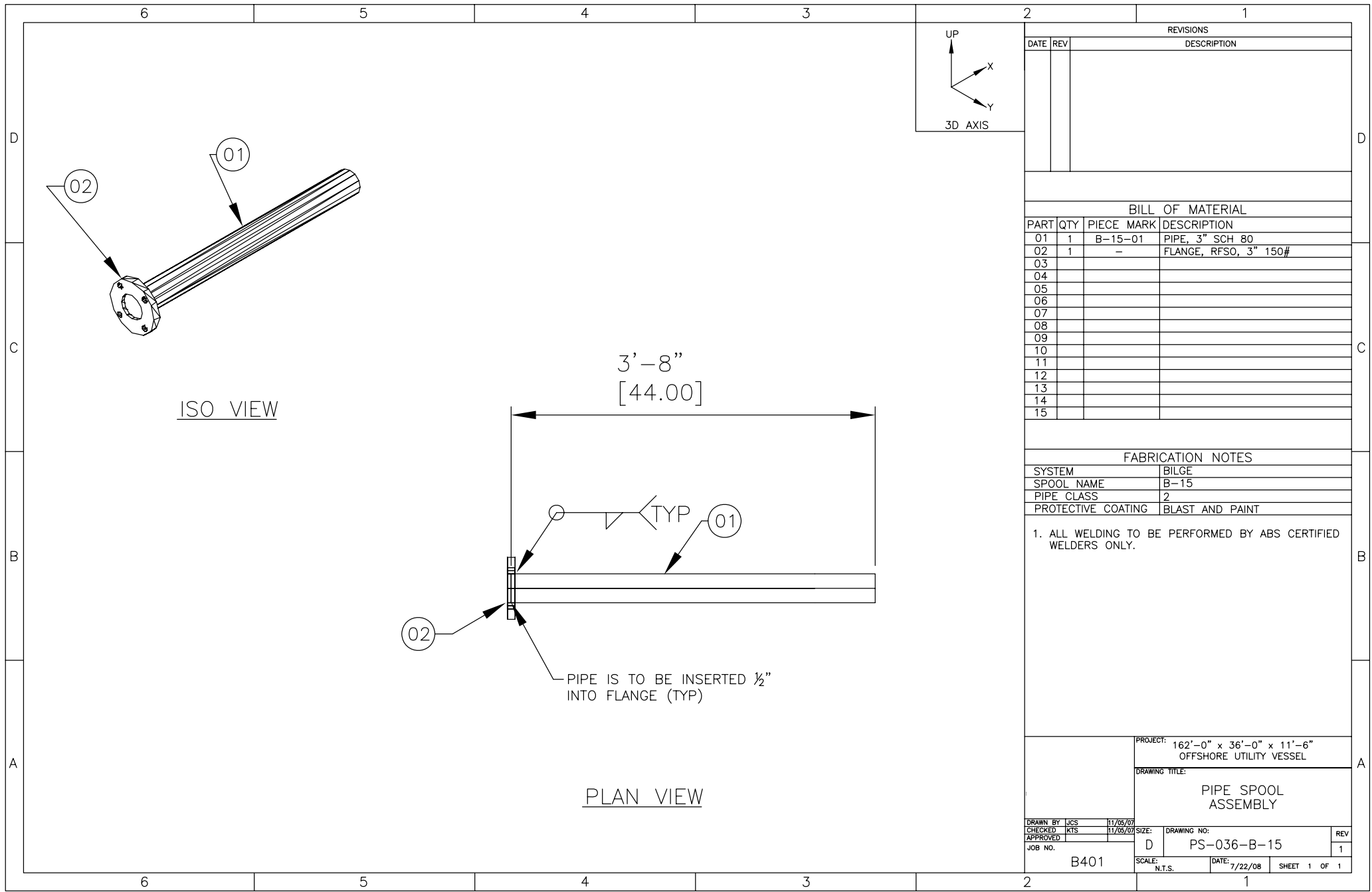
FABRICATION NOTES	
SYSTEM	BILGE
SPOOL NAME	B-14
PIPE CLASS	2
PROTECTIVE COATING	BLAST AND PAINT

1. ALL WELDING TO BE PERFORMED BY ABS CERTIFIED WELDERS ONLY.

PROJECT: 162'-0" x 36'-0" x 11'-6" OFFSHORE UTILITY VESSEL

DRAWING TITLE: PIPE SPOOL ASSEMBLY

DRAWN BY: JCS	11/05/07	SIZE: D	DRAWING NO: PS-036-B-14	REV: 1
CHECKED: KTS	11/05/07	SCALE: N.T.S.	DATE: 7/21/08	SHEET 1 OF 1
APPROVED:				
JOB NO. B401				



DATE		REV	DESCRIPTION

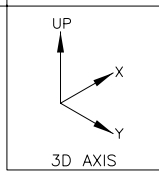
BILL OF MATERIAL			
PART	QTY	PIECE MARK	DESCRIPTION
01	1	B-15-01	PIPE, 3" SCH 80
02	1	-	FLANGE, RFSO, 3" 150#
03			
04			
05			
06			
07			
08			
09			
10			
11			
12			
13			
14			
15			

FABRICATION NOTES	
SYSTEM	BILGE
SPOOL NAME	B-15
PIPE CLASS	2
PROTECTIVE COATING	BLAST AND PAINT

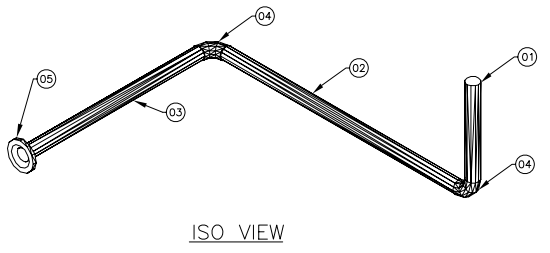
1. ALL WELDING TO BE PERFORMED BY ABS CERTIFIED WELDERS ONLY.

PROJECT: 162'-0" x 36'-0" x 11'-6"
OFFSHORE UTILITY VESSEL
DRAWING TITLE:
PIPE SPOOL ASSEMBLY

DRAWN BY: JCS	11/05/07	DRAWING NO: D PS-036-B-15	REV 1
CHECKED: KTS	11/05/07		
APPROVED:		SCALE: N.T.S.	DATE: 7/22/08
JOB NO. B401			SHEET 1 OF 1



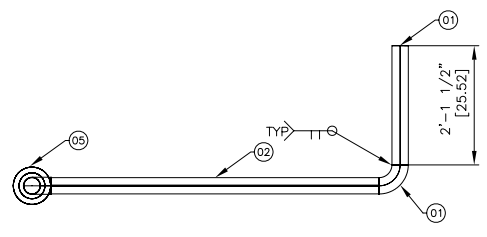
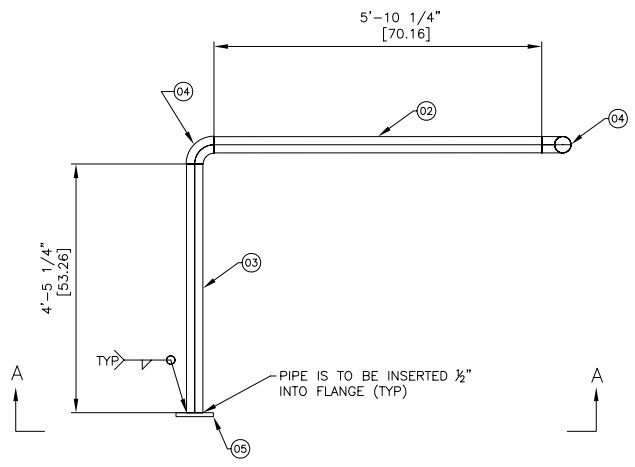
REVISIONS		
DATE	REV	DESCRIPTION



BILL OF MATERIAL			
PART	QTY	PIECE MARK	DESCRIPTION
01	1	B-16-01	PIPE, 3" SCH 80
02	1	B-16-02	PIPE, 3" SCH 80
03	1	B-16-03	PIPE, 3" SCH 80
04	2	-	ELBOW, 90° RAD, 3" SCH 80, BW
05	1	-	FLANGE, RFSO, 3" 150#
06			
07			
08			
09			
10			
11			
12			
13			
14			
15			

FABRICATION NOTES	
SYSTEM	BILGE
SPOOL NAME	B-16
PIPE CLASS	2
PROTECTIVE COATING	BLAST AND PAINT

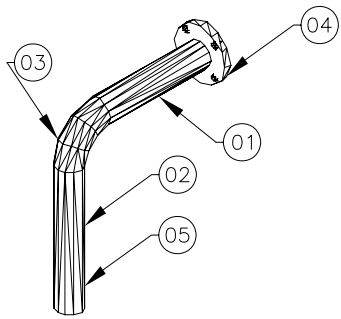
1. ALL WELDING TO BE PERFORMED BY ABS CERTIFIED WELDERS ONLY.



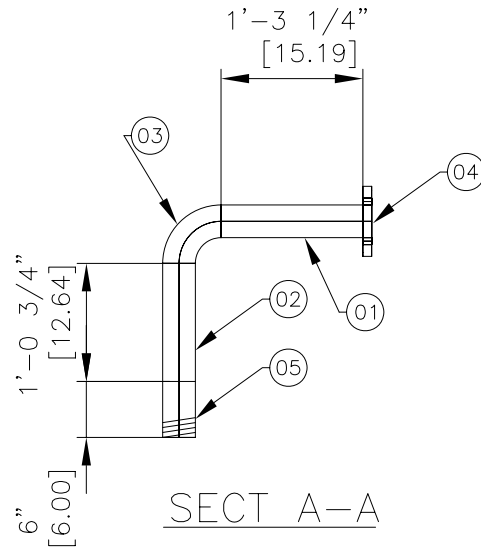
PROJECT: 162'-0" x 36'-0" x 11'-6" OFFSHORE UTILITY VESSEL

DRAWING TITLE: PIPE SPOOL ASSEMBLY

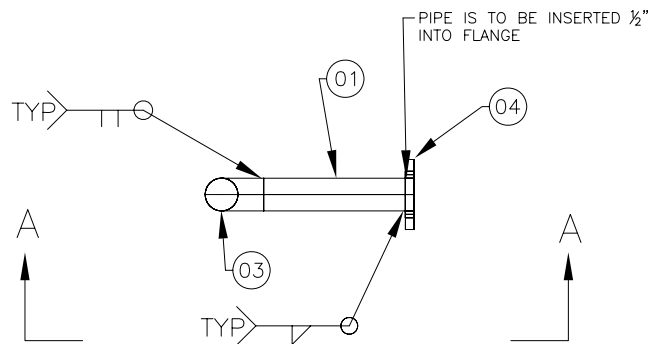
DRAWN BY: JCS	11/05/07	SIZE: D	DRAWING NO: PS-036-B-16	REV: 0
CHECKED: KTS	11/05/07	SCALE: N.T.S.	DATE: 11/05/07	SHEET 1 OF 1
APPROVED:				
JOB NO. B401				



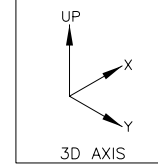
ISO VIEW



SECT A-A



PLAN VIEW



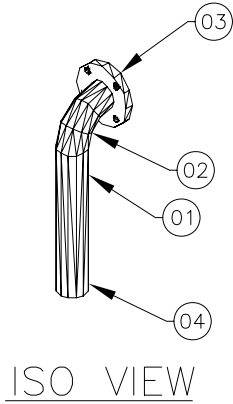
REVISIONS		DESCRIPTION
DATE	REV	

BILL OF MATERIAL			
PART	QTY	PIECE MARK	DESCRIPTION
01	1	B-17-01	PIPE, 3" SCH 80
02	1	B-17-02	PIPE, 3" SCH 80
03	1	-	ELBOW, 90° RAD, 3" SCH 80, BW
04	1	-	FLANGE, RFSO, 3" 150#
05	1	-	6" LG NIPPLE, 3" SCH 80, BW
06			
07			
08			
09			
10			
11			
12			
13			
14			
15			

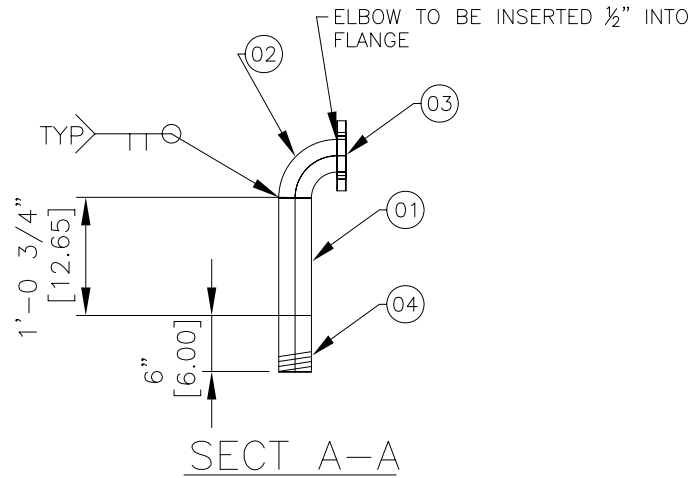
FABRICATION NOTES	
SYSTEM	BILGE
SPOOL NAME	B-17
PIPE CLASS	2
PROTECTIVE COATING	BLAST AND PAINT

1. ALL WELDING TO BE PERFORMED BY ABS CERTIFIED WELDERS ONLY.

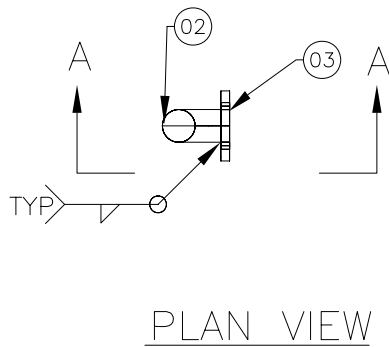
PROJECT:		162'-0" x 36'-0" x 11'-6" OFFSHORE UTILITY VESSEL	
DRAWING TITLE:		PIPE SPOOL ASSEMBLY	
DRAWN BY:	JCS	11/05/07	
CHECKED:	KTS	11/05/07	
APPROVED:			
JOB NO.	B401	SCALE:	N.T.S.
DRAWING NO.:	D	PS-036-B-17	REV 0
DATE:	11/05/07	SHEET	1 OF 1



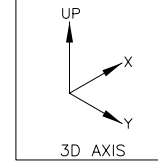
ISO VIEW



SECT A-A



PLAN VIEW



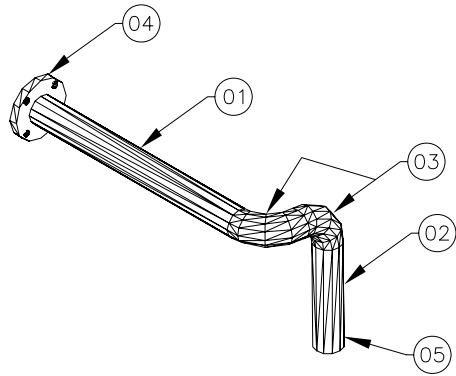
REVISIONS	
DATE	REV

BILL OF MATERIAL			
PART	QTY	PIECE MARK	DESCRIPTION
01	1	B-18-01	PIPE, 3" SCH 80
02	1	-	ELBOW, 90° RAD, 3" SCH 80, BW
03	1	-	FLANGE, RFSO, 3" 150#
04	1	-	6" LG NIPPLE, 3" SCH 80, BW
05			
06			
07			
08			
09			
10			
11			
12			
13			
14			
15			

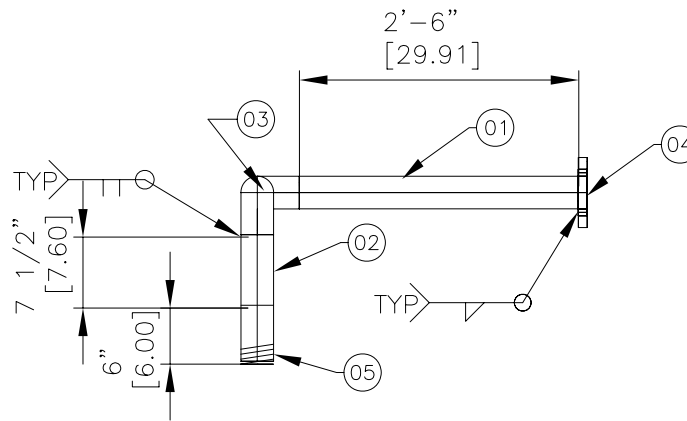
FABRICATION NOTES	
SYSTEM	BILGE
SPOOL NAME	B-18
PIPE CLASS	2
PROTECTIVE COATING	BLAST AND PAINT

1. ALL WELDING TO BE PERFORMED BY ABS CERTIFIED WELDERS ONLY.

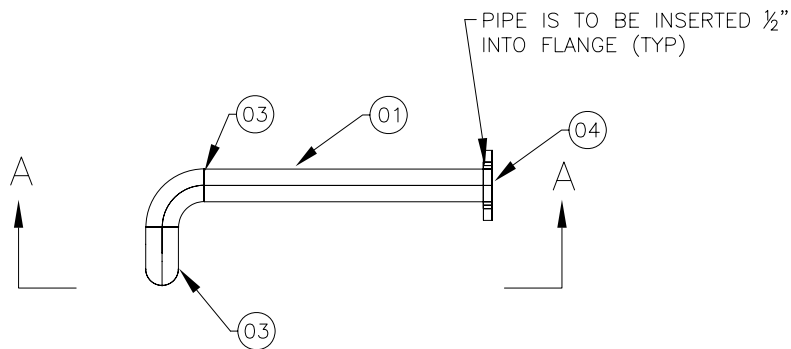
PROJECT:		162'-0" x 36'-0" x 11'-6" OFFSHORE UTILITY VESSEL	
DRAWING TITLE:			
PIPE SPOOL ASSEMBLY			
DRAWN BY	JCS	11/05/07	
CHECKED	KTS	11/05/07	
APPROVED			
JOB NO.	B401	SCALE:	N.T.S.
DRAWING NO:		D	PS-036-B-18
		DATE:	11/05/07
		SHEET	1 OF 1



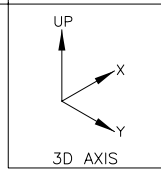
ISO VIEW



SECT A-A



PLAN



DATE		REV	REVISIONS
			DESCRIPTION

BILL OF MATERIAL			
PART	QTY	PIECE MARK	DESCRIPTION
01	1	B-19-01	PIPE, 3" SCH 80
02	1	B-19-02	PIPE, 3" SCH 80
03	2	-	ELBOW, 90° RAD, 3" SCH 80, BW
04	1	-	FLANGE, RFSO, 3" 150#
05	1	-	6" LG NIPPLE, 3" SCH 80, BW
06			
07			
08			
09			
10			
11			
12			
13			
14			
15			

FABRICATION NOTES	
SYSTEM	BILGE
SPOOL NAME	B-19
PIPE CLASS	2
PROTECTIVE COATING	BLAST AND PAINT

1. ALL WELDING TO BE PERFORMED BY ABS CERTIFIED WELDERS ONLY.

PROJECT:	162'-0" x 36'-0" x 11'-6" OFFSHORE UTILITY VESSEL		
DRAWING TITLE:	PIPE SPOOL ASSEMBLY		

DRAWN BY	JCS	11/05/07	SIZE:	D	DRAWING NO:	PS-036-B-19	REV	0
CHECKED	RTS	11/05/07						
APPROVED								
JOB NO.	B401			SCALE:	N.T.S.	DATE:	02/15/08	SHEET 1 OF 1