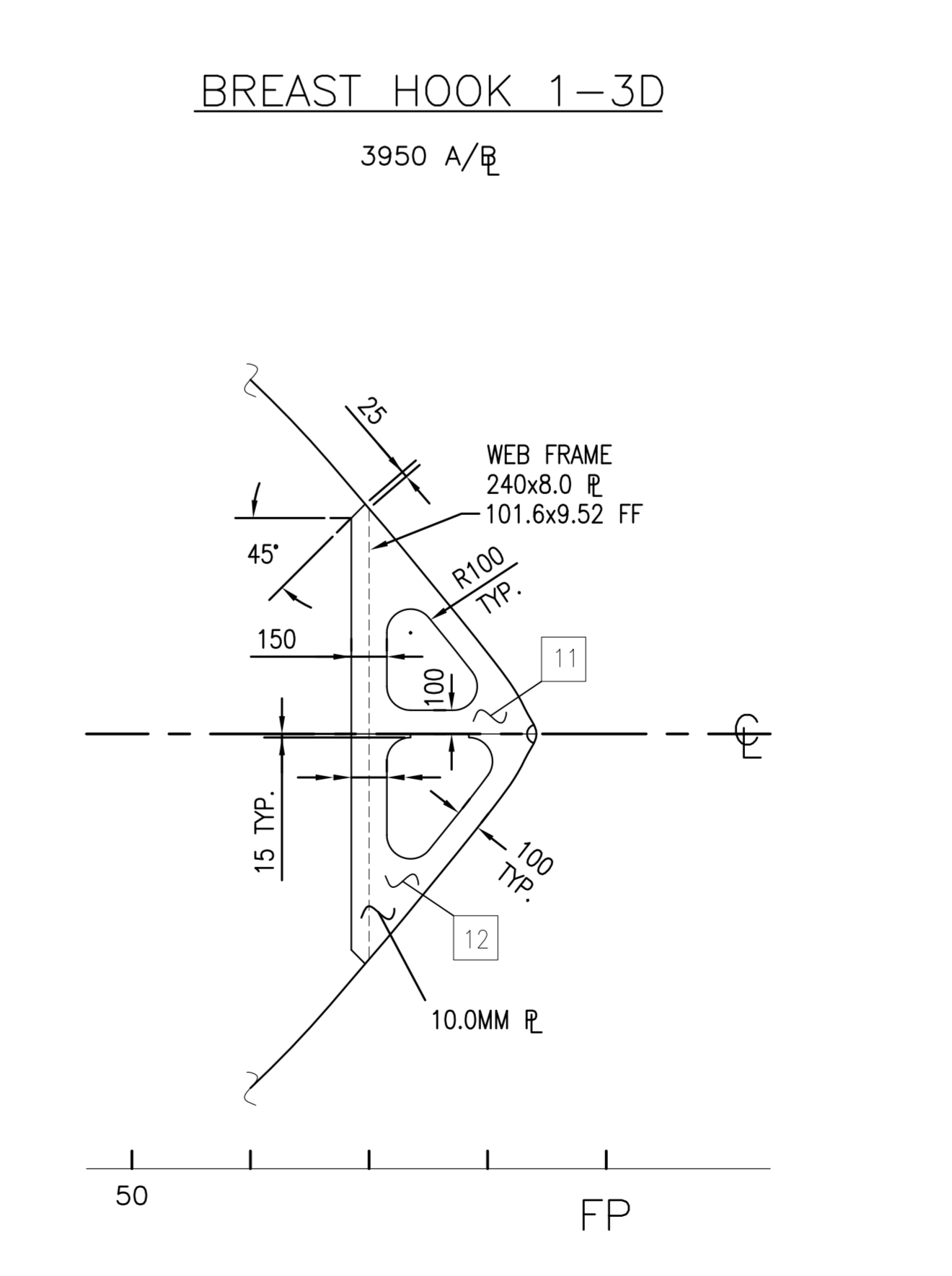
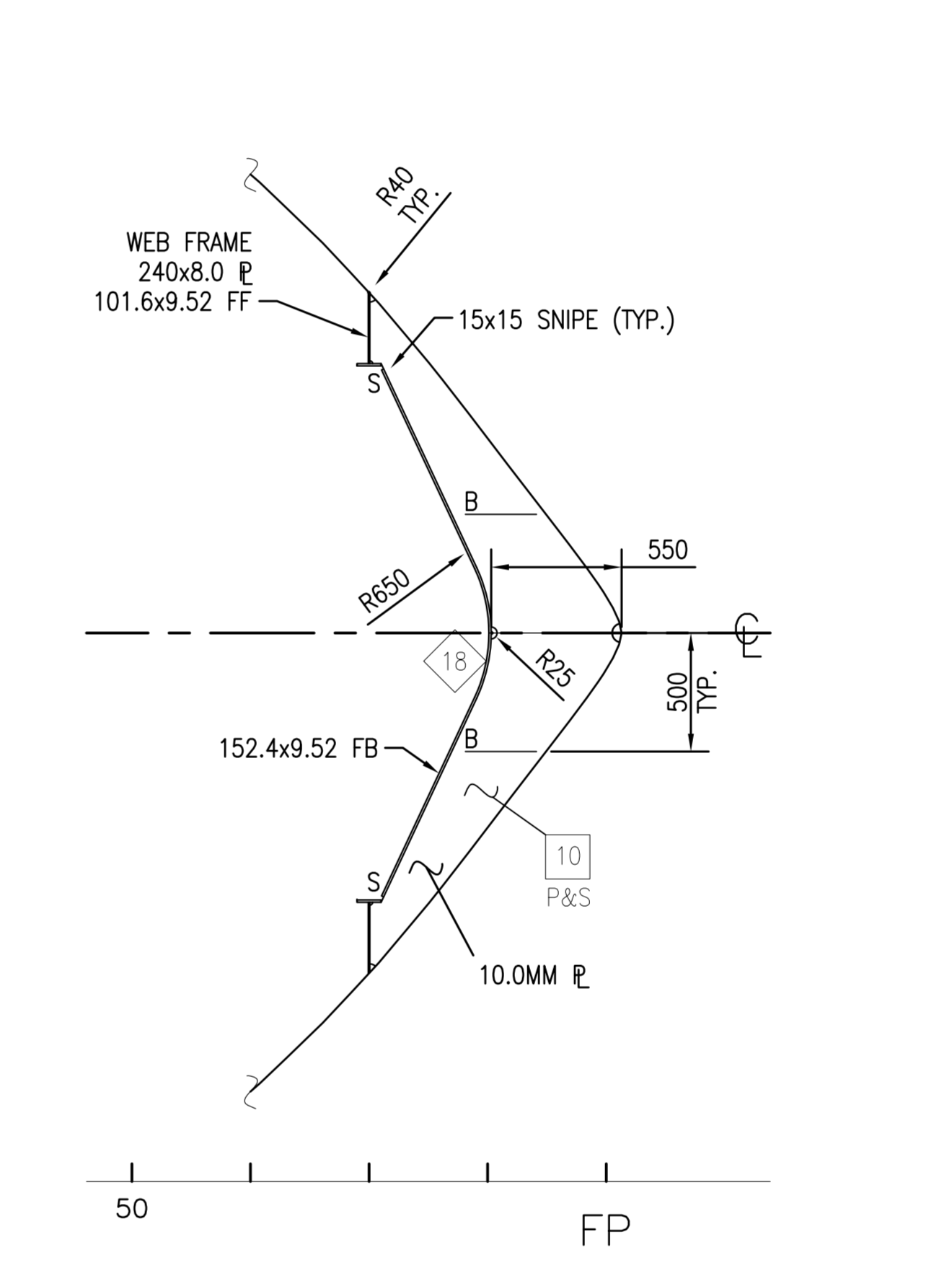
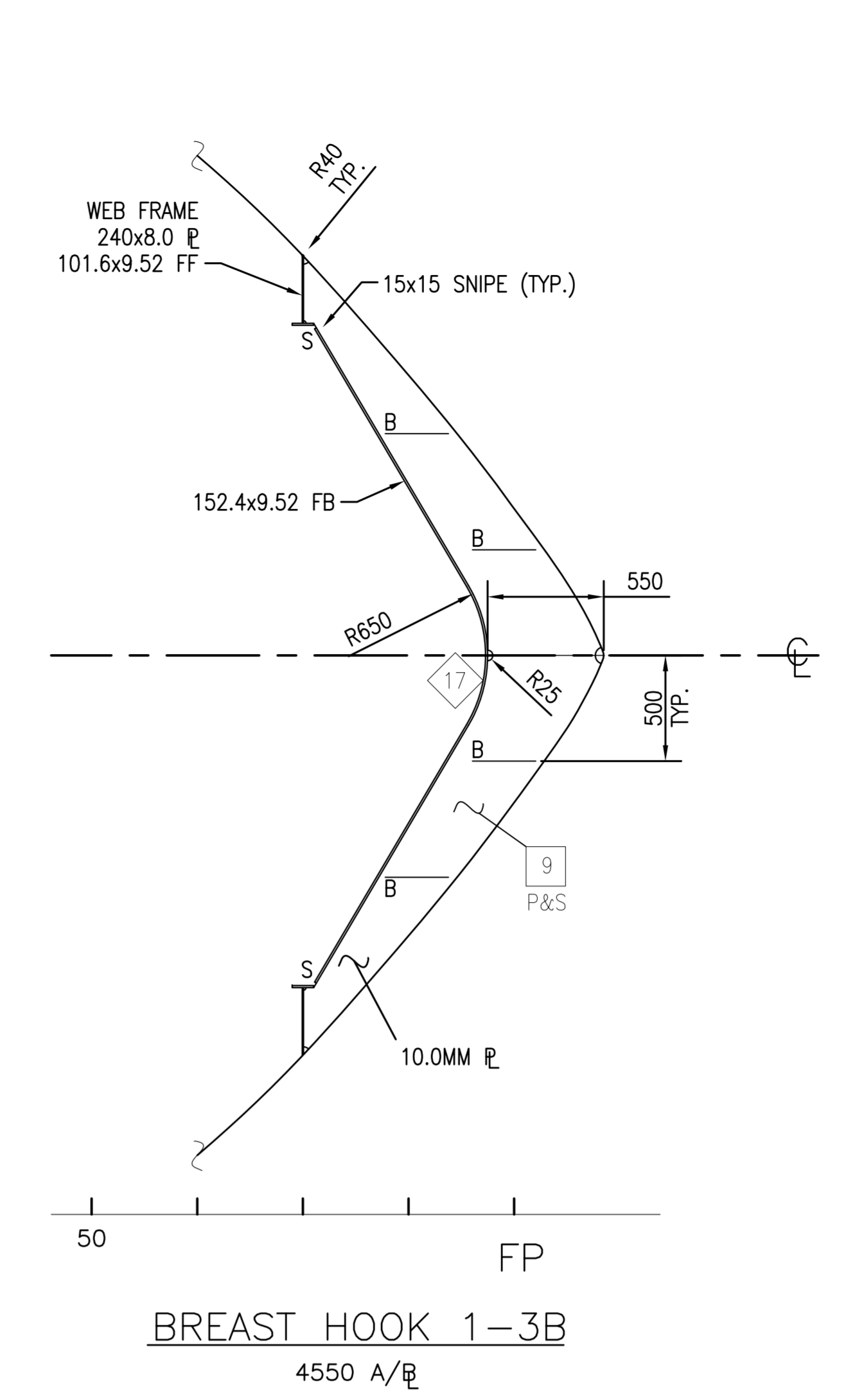
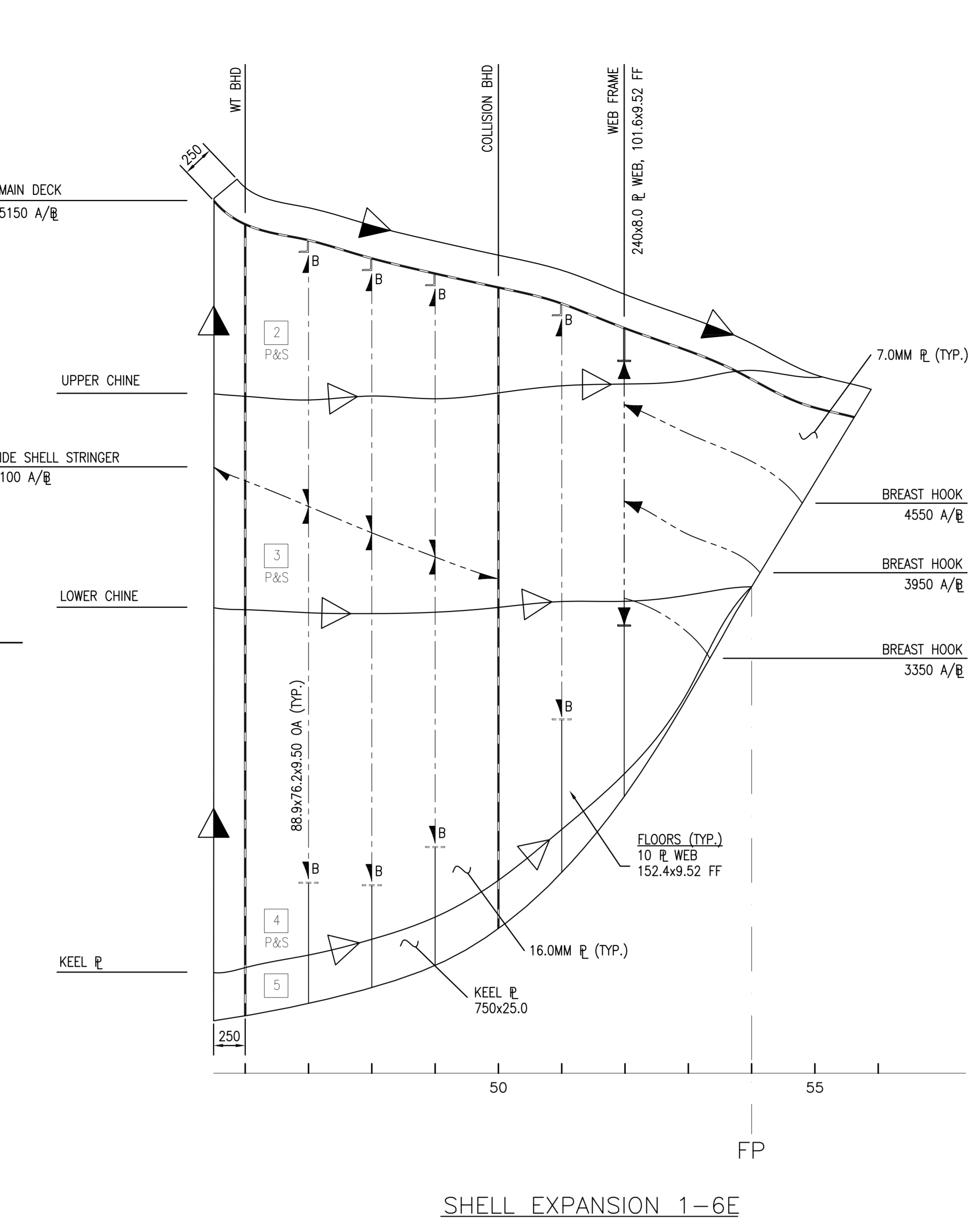
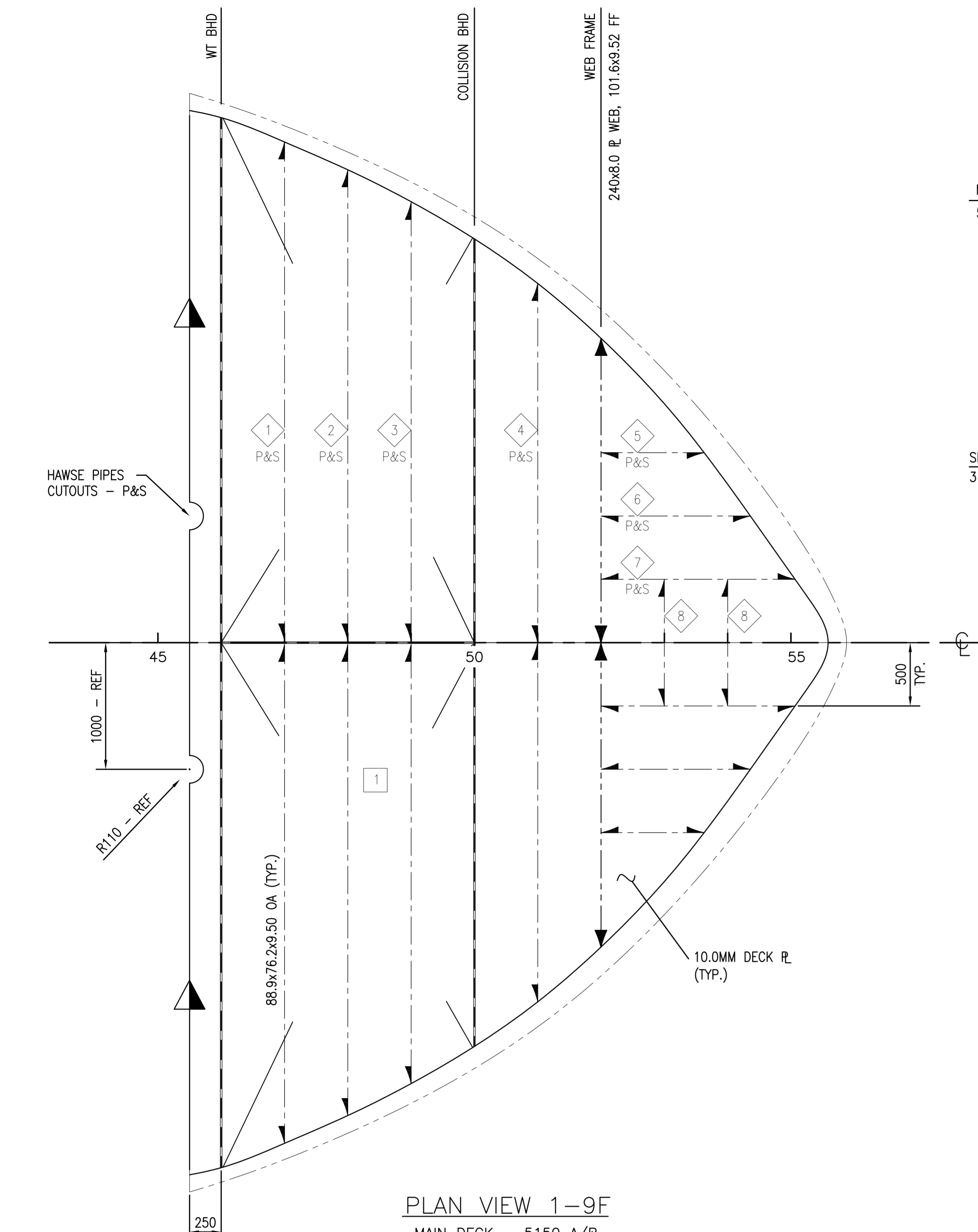
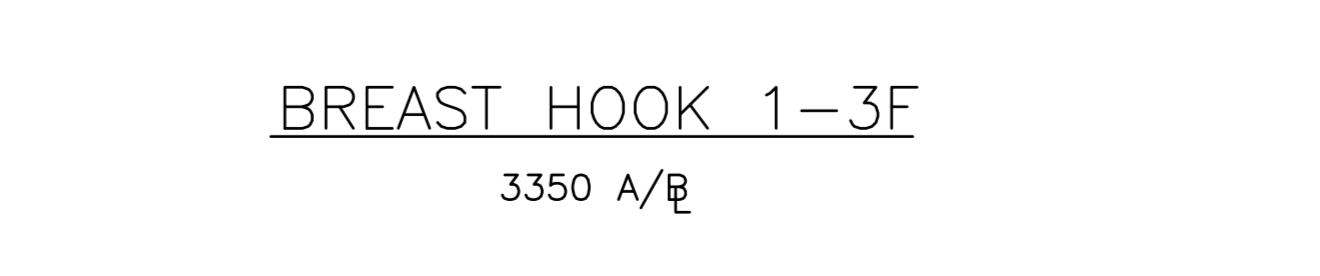
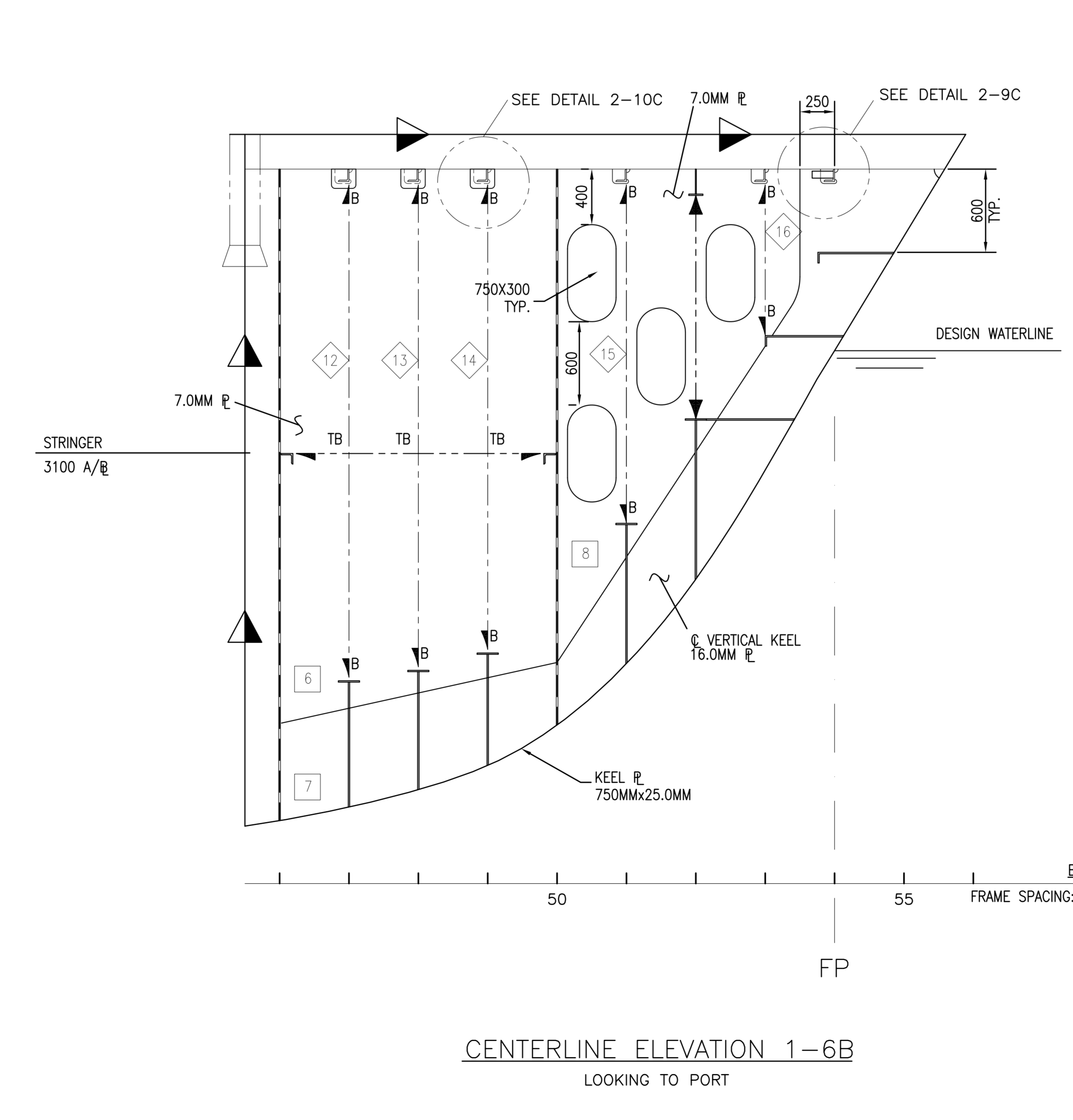
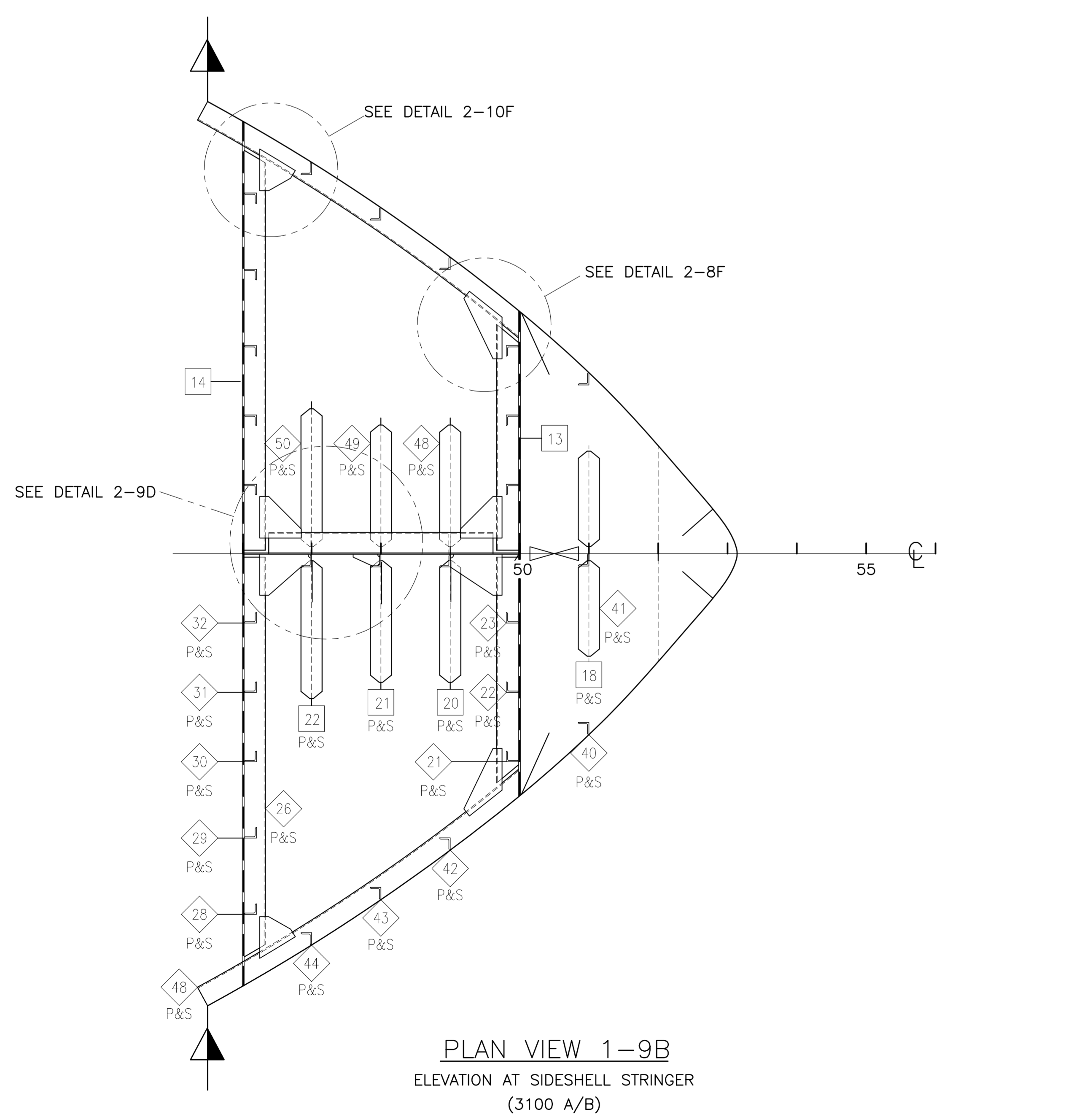


10 9 8 7 6 5 4 3 2 1



- GENERAL NOTES**
1. ALL DIMENSIONS IN MM
 2. ALL PLATE TO BE LLOYD'S GRADE 'A'
 3. ALL SHAPES TO BE CSA G40.21 GRADE 44W
 4. ALL MAT'L TO MEET SURVEYOR SATISFACTION
 5. FRAME SPACING 500MM (UNO)
 6. FRAME 52 AMBIGUOUSLY SIZED 180x6.5 (P&D) 240x8.0 (BREAST HOOK DETAILS) - TAKEN AS 240x8.0MM
 7. DENOTE UNIT BUTTS

- REFERENCE DRAWINGS**
1. POINT CHEBUCTO LINES PLAN
 2. POINT CHEBUCTO PROFILE & DECKS
 3. POINT CHEBUCTO SECTIONS & DETAILS



10 9 8 7 6 5 4 3 2 1

| REV | DATE | DESCRIPTION | BY | CHK | APP |
|-----|------|-------------|----|-----|-----|
| | | | | | |
| | | | | | |
| | | | | | |
| | | | | | |

MARINE INSTITUTE
of Memorial University of Newfoundland

School of Maritime Studies

DWG TITLE: **TUG UNIT 101 UNIT CONSTRUCTION DWG**

| | |
|-----------------|------------------|
| VESSEL/HULL No. | COURSE |
| DRAWN BY | INSTRUCTOR |
| STUDENT No. | CHECKED |
| DATE | SHEET No. 1 OF 2 |
| SCALE 1 : 25 | DWG No. 2008008 |
| | REV 0 |